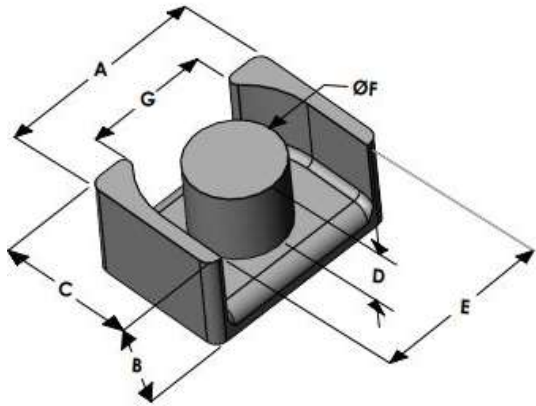




LPX3222E026L152

110 Delta Drive
 Pittsburgh, PA 15238
 NAFTA Sales: (1)800-245-3984
 HK Sales : (852)3102-9337
 magnetics@spang.com
 www.mag-inc.com



| XFlux Permeability (μ) | A_L (nH/T ²) | Core Marking | |
|------------------------------|----------------------------|--------------|-----------------|
| | | Lot Number | Part Number |
| 26 | 69 ± 8% | XXXXXX | LPX3222E026L152 |

| | Dimensions | | Tolerance (±) | | | Packaging |
|----------|------------|-------|---------------|-------|-----|--------------------|
| | (mm) | (in) | (mm) | (in) | | |
| A | 32.00 | 1.259 | 0.40 | 0.016 | | Box Qty= 300 Pcs |
| B | 15.20 | 0.598 | 0.20 | 0.008 | | |
| C | 22.00 | 0.866 | 0.30 | 0.012 | | |
| D | 11.50 | 0.453 | 0.20 | 0.008 | | Available Hardware |
| E | 27.00 | 1.063 | 0.30 | 0.012 | | |
| F | 13.50 | 0.531 | 0.20 | 0.008 | | |
| G | 20.43 | 0.804 | - | - | Min | |

| Electrical Characteristics | | | Physical Characteristics | | | | | |
|--|------------------------|-----|--------------------------|--------------------------------------|--|------------------------|---------------------------------|-----------------------------|
| Watt Loss @ 50kHz, 100mT max (mW/cm ³) | DC Bias min (oersteds) | | Break Strength typ (kg) | Window Area W_a (mm ²) | Cross Section A_c (mm ²) | Path Length L_e (mm) | Volume V_e (mm ³) | Est. Weight (Ea. Piece) (g) |
| | 80% | 50% | | | | | | |
| 425 | 140 | 250 | 45 | 155 | 143 | 82.1 | 11,740 | 37 |

Note: Standard AL is controlled with full window high turns test coils. Application coils with few turns often result in lower inductance than expected, or sometimes higher.

| Notes: | Temperature Rating |
|--------|--------------------|
| | Curie Temp: 700 °C |

Typical DC Bias Performance

