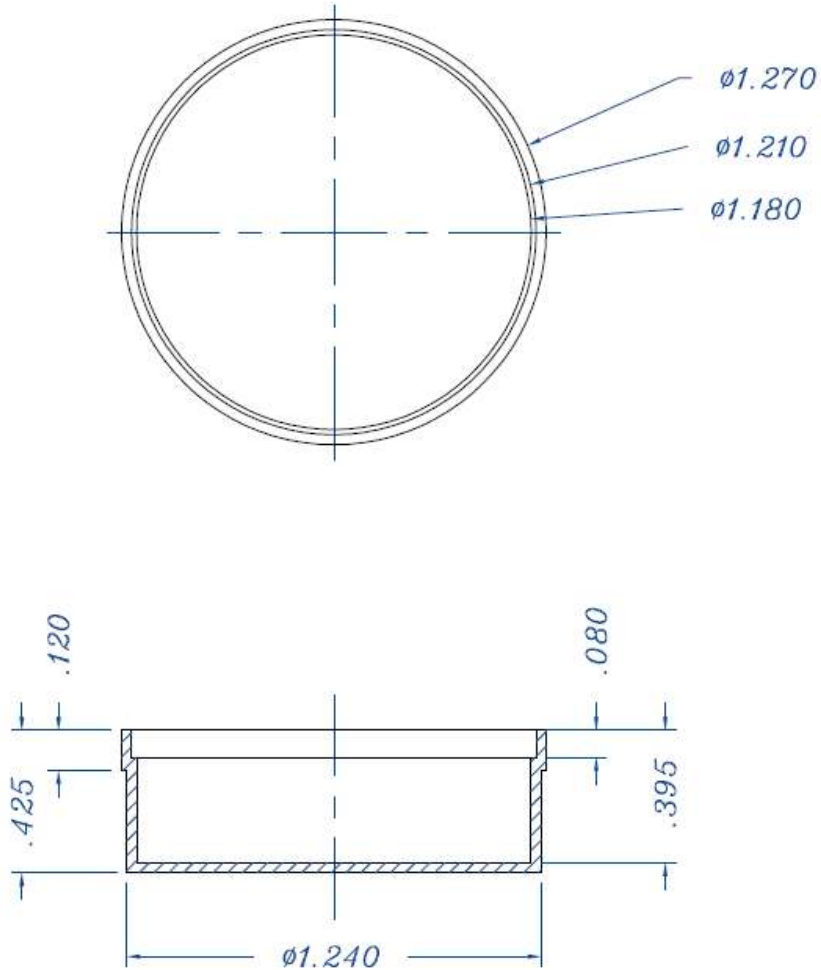




Specification for:
TCF2800B1

110 Delta Drive
Pittsburgh, PA 15238
Phone: 412/696-1333
Fax: 412/696-0333
Email:magnetics@spang.com



MATERIAL

Material: FR Nylon 6/6 94V-0 Rated

REMARKS

Revision -

Revision 10/10/2013