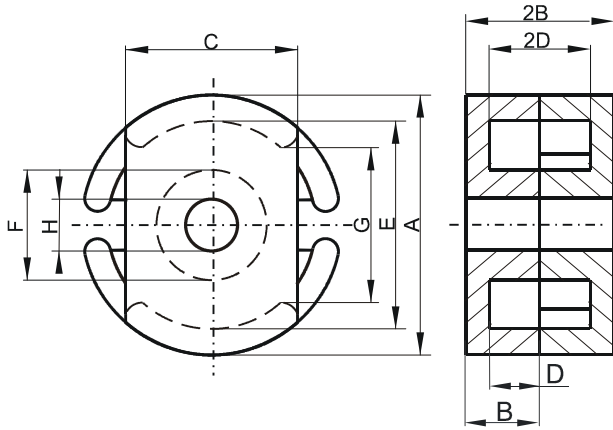


DIMENSIONS



(mm)	Nominal:	Tol. min.:	Tol. max.:
A	30.0	-0.51	+ 0.51
B	9.4	-0.1	+ 0.1
2B	18.8	-0.2	+ 0.2
C	20.32	-0.25	+ 0.25
D	6.5 Min.		
2D	13.0 Min.		
E	25.0 Min.		
F	13.51 Max.		
G	15.49 Min.		
Eff. Parameters			
Ae mm²	Amin mm²	le mm	Ve mm³
123.0	96.0	45.6	5610

INDUCTANCE

AL value (nH)	Test conditions
Nom: 5533 Min.: 4150	10 kHz, < 0.5 mT, 25 °C

MARKING

R UG

CORE LOSSES

P _i max	Test conditions
100 mW/cm ³ (0.56 W/set)	100 kHz, 100 mT, 100 °C
588 mW/cm ³ (3.3 W/set)	100 kHz, 200 mT, 100 °C

NOTE

Spec. modifications	Previous	Revised
2005-06-22	Losses: General R material	Losses: Detail as indicated