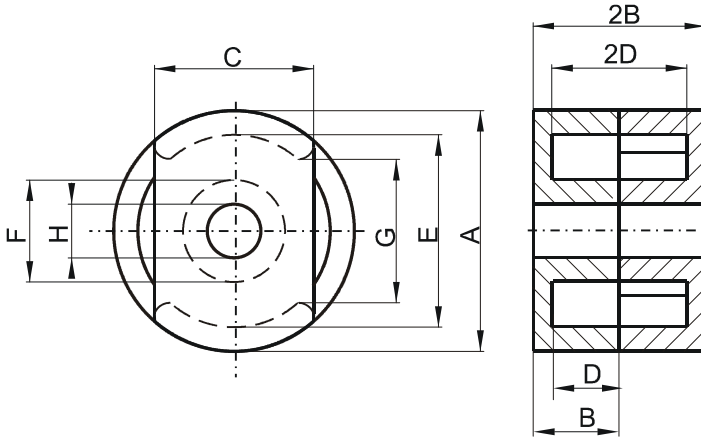


Specification for:

SP43019UG

110 Delta Drive
Pittsburgh, PA 15238
Phone: 412/696-1333
Fax: 412/696-0333
Email: magnetics@spang.com

DIMENSIONS



| (mm) | Nominal: | Tol. min.: | Tol. max.: |
|--------------------------|----------------------------|--------------|--------------------------|
| A | 30.0 | -0.51 | + 0.51 |
| B | 9.4 | -0.1 | + 0.1 |
| 2B | 18.8 | -0.2 | + 0.2 |
| C | 20.32 | -0.25 | + 0.25 |
| D | 6.5 MIN | | |
| 2D | 13.0 MIN | | |
| E | 25.0 MIN | | |
| F | 13.51 MAX | | |
| G | 15.49 MIN | | |
| Eff. Parameters | | | |
| Ae mm² | Amin mm² | le mm | Ve mm³ |
| 123.0 | 96.0 | 45.6 | 5610 |

INDUCTANCE

| AL value (nH) | Test conditions |
|-------------------------|-------------------------|
| Nom: 6027 Min.: 4520 | 10 kHz, < 0.5 mT, 25 °C |

MARKING

| |
|---------------------|
| SP43019UG PXXXXX |
|---------------------|

CORE LOSSES

| P _i max | Test conditions |
|--------------------------------------|-------------------------|
| 100 mW/cm ³ (0.561 W/set) | 100 kHz, 100 mT, 100 °C |

NOTE

| Spec. modifications | Previous | Revised |
|---------------------|----------------------------|-----------------------------|
| 2005-06-22 | LOSSES: GENERAL P MATERIAL | LOSSES: DETAIL AS INDICATED |