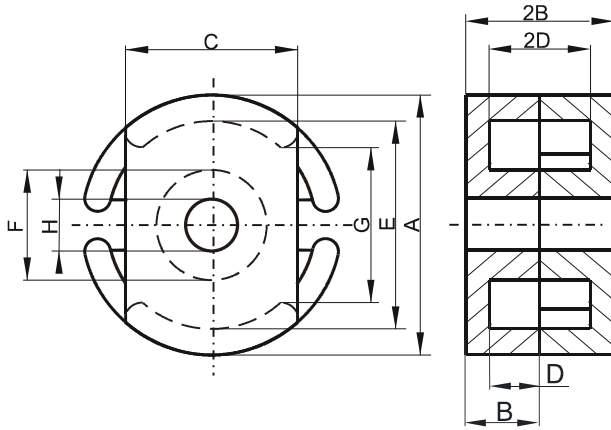


Specification for:

SP41811UG

110 Delta Drive
Pittsburgh, PA 15238
Phone: 412/696-1333
Fax: 412/696-0333
Email: magnetics@spang.com

DIMENSIONS



(mm)	Nominal:	Tol. min.:	Tol. max.:
A	18.0	-0.4	+ 0.4
B	5.3	-0.13	+ 0.13
2B	10.6	-0.15	+ 0.15
C	11.9	-0.2	+ 0.2
D	3.7	-0.1	+ 0.1
2D	7.4	-0.2	+ 0.2
E	15.15	-0.25	+ 0.25
F	7.45	-0.15	+ 0.15
G	11.2 Min.		
H	3.1	-0.1	+ 0.1
Eff. Parameters			
Ae mm²	Amin mm²	le mm	Ve mm³
40.6	32.9	27.2	1110

INDUCTANCE

AL value (nH)	Test conditions
Nom: 3112 Min.: 2334	10 kHz, < 0.5 mT, 25 °C

MARKING

P UG

CORE LOSSES

P _i max	Test conditions
108 mW/cm ³ (0.12 W/set)	100 kHz, 100 mT, 100 °C