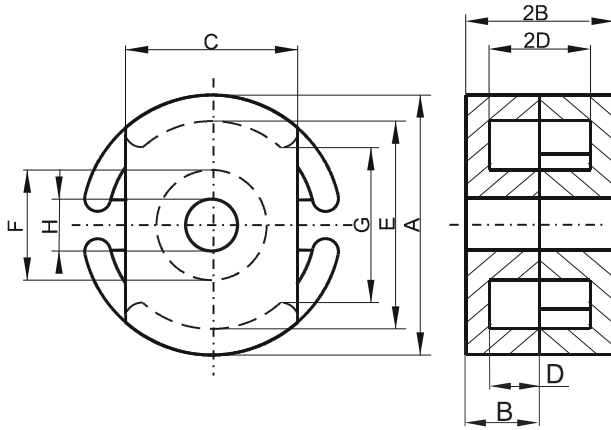


DIMENSIONS



| (mm) | Nominal: | Tol. min.: | Tol. max.: |
|--------------------------|----------------------------|--------------|--------------------------|
| A | 30.0 | -0.51 | + 0.51 |
| B | 9.4 | -0.1 | + 0.1 |
| 2B | 18.8 | -0.2 | + 0.2 |
| C | 20.32 | -0.25 | + 0.25 |
| D | 6.5 Min. | | |
| 2D | 13.0 Min. | | |
| E | 25.0 Min. | | |
| F | 13.51 Max. | | |
| G | 15.49 Min. | | |
| Eff. Parameters | | | |
| Ae mm² | Amin mm² | le mm | Ve mm³ |
| 123.0 | 96.0 | 45.6 | 5610 |

INDUCTANCE

| AL value (nH) | Test conditions |
|--------------------------|-------------------------|
| Nom: 11147 Min.: 8360 | 10 kHz, < 0.5 mT, 25 °C |

MARKING

| |
|------------|
| No marking |
|------------|

LOSS FACTOR

| $\tan \delta/\mu$ ($\times 10^{-6}$) | Test conditions |
|--|---------------------------|
| < 36 | 100 kHz, < 0.25 mT, 25 °C |

NOTE

| Spec. modifications | Previous | Revised |
|---------------------|--|--|
| 2005-06-22 | Loss factor: General J material Marking | Loss factor: Detail as indicated No Marking |