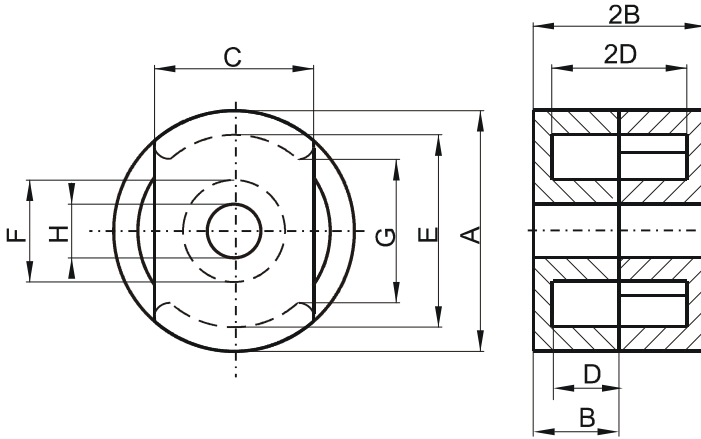


Specification for:

**SF43019UG**

110 Delta Drive  
Pittsburgh, PA 15238  
Phone: 412/696-1333  
Fax: 412/696-0333  
Email: magnetics@spang.com

**DIMENSIONS**



(mm)	Nominal:	Tol. min.:	Tol. max.:
<b>A</b>	30.0	-0.51	+ 0.51
<b>B</b>	9.4	-0.1	+ 0.1
<b>2B</b>	18.8	-0.2	+ 0.2
<b>C</b>	20.32	-0.25	+ 0.25
<b>D</b>	6.5 MIN		
<b>2D</b>	13.0 MIN		
<b>E</b>	25.0 MIN		
<b>F</b>	13.51 MAX		
<b>G</b>	15.49 MIN		
Eff. Parameters			
<b>Ae mm<sup>2</sup></b>	<b>Amin mm<sup>2</sup></b>	<b>le mm</b>	<b>Ve mm<sup>3</sup></b>
123.0	96.0	45.6	5610

**INDUCTANCE**

AL value (nH)	Test conditions
6700 ± 25%	10 kHz, < 0.5 mT, 25 °C

**MARKING**

F UG
---------

**CORE LOSSES**

P <sub>i</sub> max	Test conditions
232 mW/cm <sup>3</sup> (1.3 W/set)	25 kHz, 200 mT, 100 °C

**NOTE**

Spec. modifications	Previous	Revised
2005-06-22	LOSSES:GENERAL F MATERIAL	LOSSES: DETAIL AS INDICATED