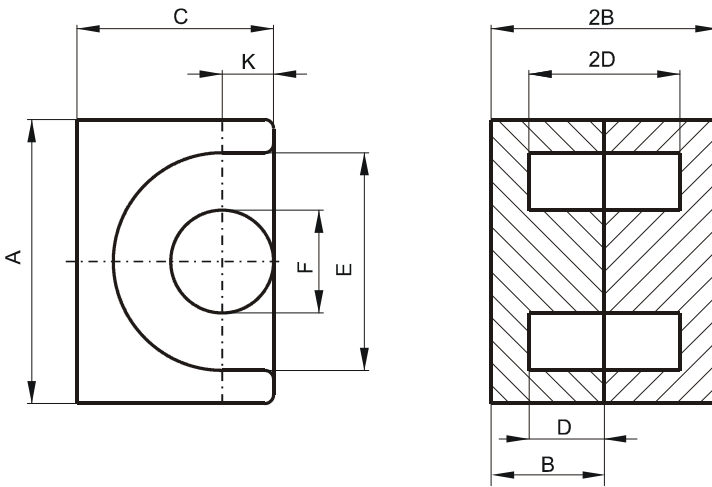


**DIMENSIONS**



(mm)	Nominal:	Tol. min.:	Tol. max.:
<b>A</b>	18.0	-0.4	+ 0.4
<b>B</b>	8.4	-0.1	+ 0.1
<b>2B</b>	16.8	-0.2	+ 0.2
<b>C</b>	11.0	-0.25	+ 0.25
<b>D</b>	5.7	-0.15	+ 0.15
<b>2D</b>	11.4	-0.3	+ 0.3
<b>E</b>	12.0	-0.4	+ 0.4
<b>F</b>	5.7	-0.18	+ 0.18
<b>K</b>	3.3	-0.2	+ 0.2
Eff. Parameters			
Ae mm <sup>2</sup>	Amin mm <sup>2</sup>	le mm	Ve mm <sup>3</sup>
33.7	25.5	29.5	999

**INDUCTANCE**

**MARKING**

AL value (nH/T <sup>2</sup> )	Test conditions	R UG
Nom: 2387 Min.: 1790	10 kHz, < 0.5 mT, 25 °C	

**CORE LOSSES**

P <sub>i</sub> max	Test conditions
80 mW/cm <sup>3</sup> (0.08 W/set)	100 kHz, 100 mT, 100 °C
450 mW/cm <sup>3</sup> (0.45 W/set)	100 kHz, 200 mT, 100 °C

**NOTE**

Spec. modifications	Previous	Revised
2005-06-22	2D=11.18 Min. D=5.59 Min. F=5.84 Max. K=3.25±0.18 Losses: General R material	2D=11.1 Min. D=5.55 Min. F=5.88 Max. K=3.3±0.2 Losses: Detail as indicated