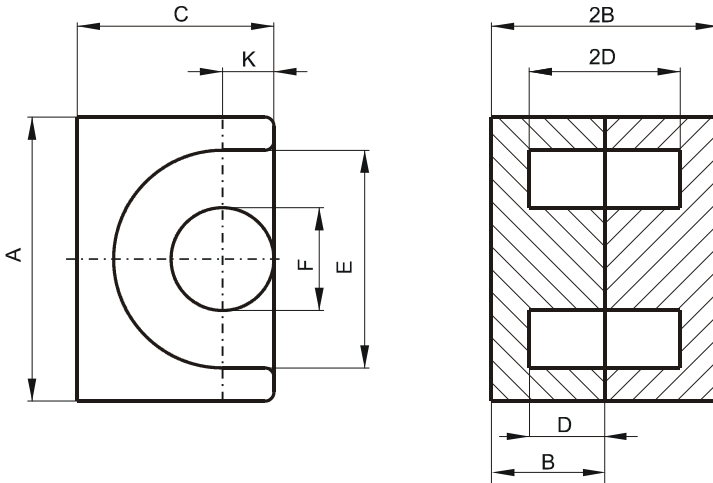


Specification for:

PJ42120UG

110 Delta Drive
Pittsburgh, PA 15238
Phone: 412/696-1333
Fax: 412/696-0333
Email: magnetics@spang.com

DIMENSIONS



(mm)	Nominal:	Tol. min.:	Tol. max.:
A	24.0	-0.5	+ 0.5
B	10.7	-0.1	+ 0.1
2B	21.4	-0.2	+ 0.2
C	15.0	-0.35	+ 0.35
D	7.2	-0.15	+ 0.15
2D	14.4	-0.3	+ 0.3
E	16.5	-0.4	+ 0.4
F	8.8	-0.25	+ 0.25
K	4.5	-0.2	+ 0.2
Eff. Parameters			
Ae mm²	Amin mm²	le mm	Ve mm³
78.7	60.8	41.1	3230

INDUCTANCE

AL value (nH)	Test conditions
Nom: 9600 Min.: 7200	10 kHz, < 0.5 mT, 25 °C

MARKING

No marking

LOSS FACTOR

tan δ/μ (x10⁻⁶)	Test conditions
< 20	100 kHz, < 0.25 mT, 25 °C

NOTE

Spec. modifications	Previous	Revised
2005-06-16	F=8.99 Max. Loss factor: General J material	F=8.8 Max. Loss factor: Detail as indicated