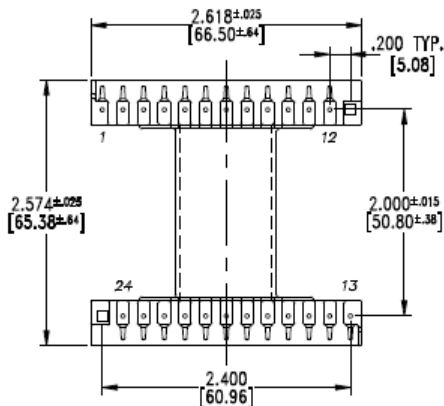
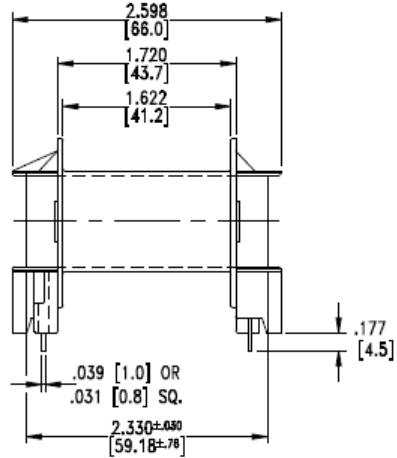
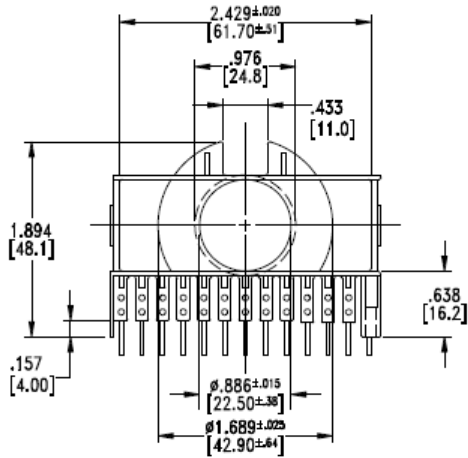




Specification for:
PCB5959AA

110 Delta Drive
 Pittsburgh, PA 15238
 Phone: 412/696-1333
 Fax: 412/696-0333
 Email:magnetics@spang.com



BOBBIN MATERIAL : DuPONT RYNITE FR530L; UL 94V0 RATED.

TERMINAL MATERIAL : PHOSPHOR BRONZE.

MATERIAL

Bobbin Material: DuPont Rynite FR530L; UL 94V0 Rated.

Terminal Material: Phosphor Bronze

REMARKS

ETD-59 PC Bobbin

Revision A