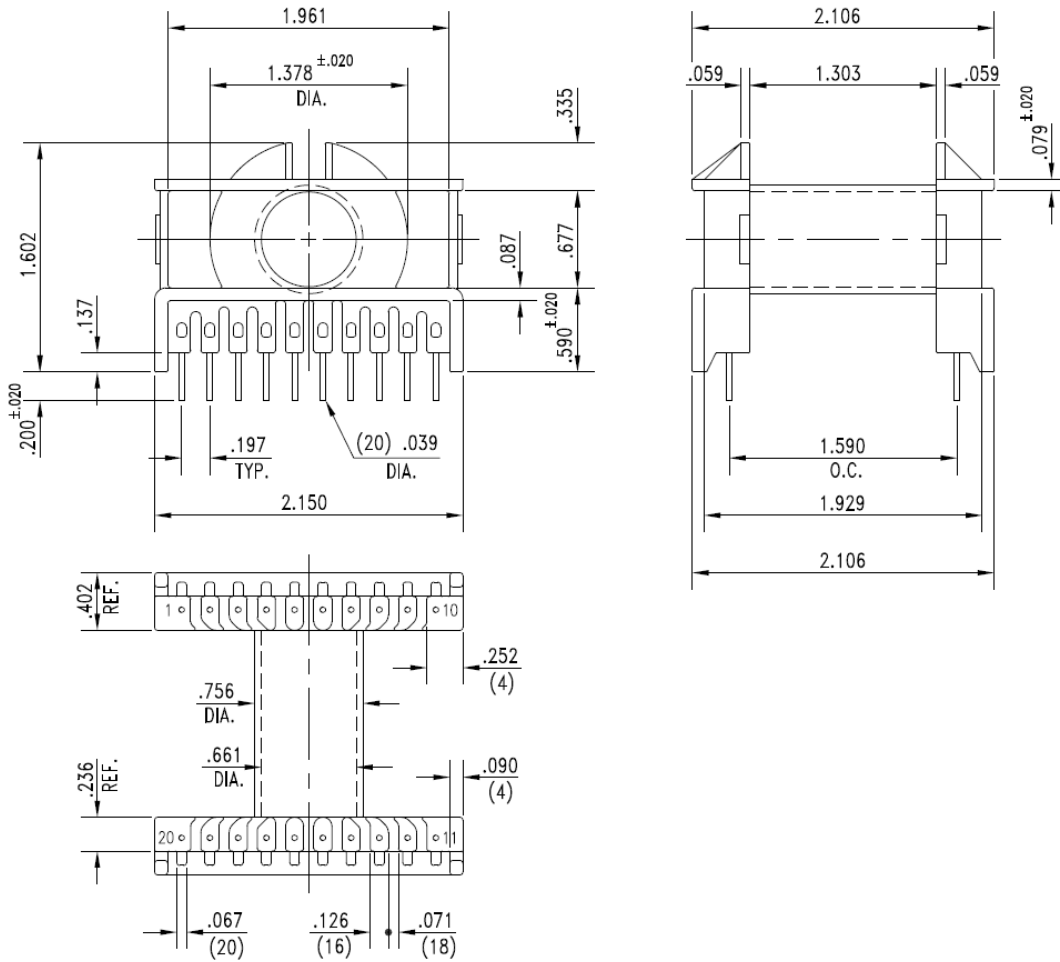




Specification for:  
**PCB4949WA**

110 Delta Drive  
 Pittsburgh, PA 15238  
 Phone: 412/696-1333  
 Fax: 412/696-0333  
 Email:magnetics@spang.com



**MATERIAL**

Bobbin Material: Chang Chung Plastics Phenolic T357J; UL 94 V-0  
 Terminal Material: CP Wire

**REMARKS**

Revision -