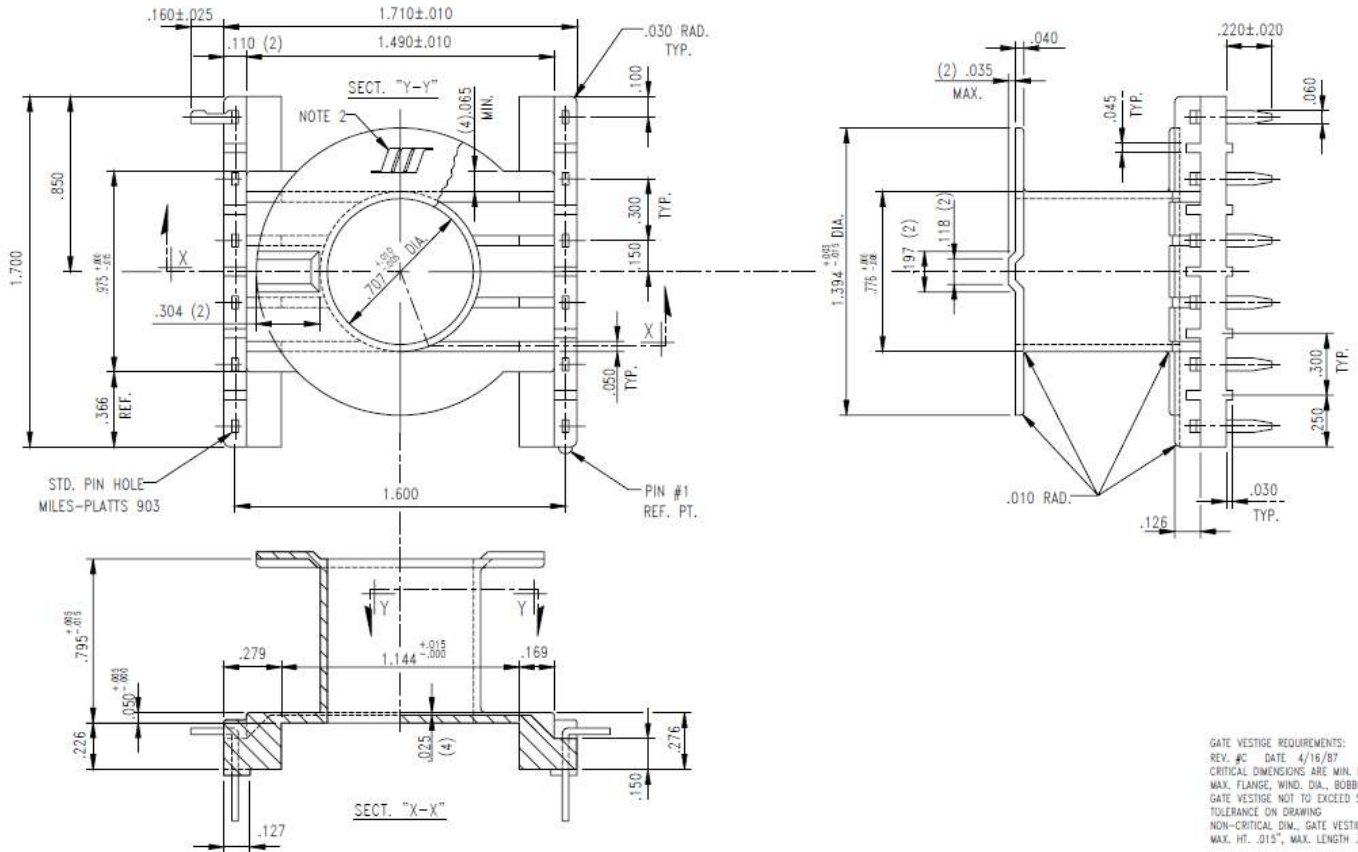




Specification for:
PCB4229L1

110 Delta Drive
Pittsburgh, PA 15238
Phone: 412/696-1333
Fax: 412/696-0333
Email:magnetics@spang.com



MATERIAL

Material: DuPont Rynite FR530; UL File Number E41938

REMARKS

Revision F