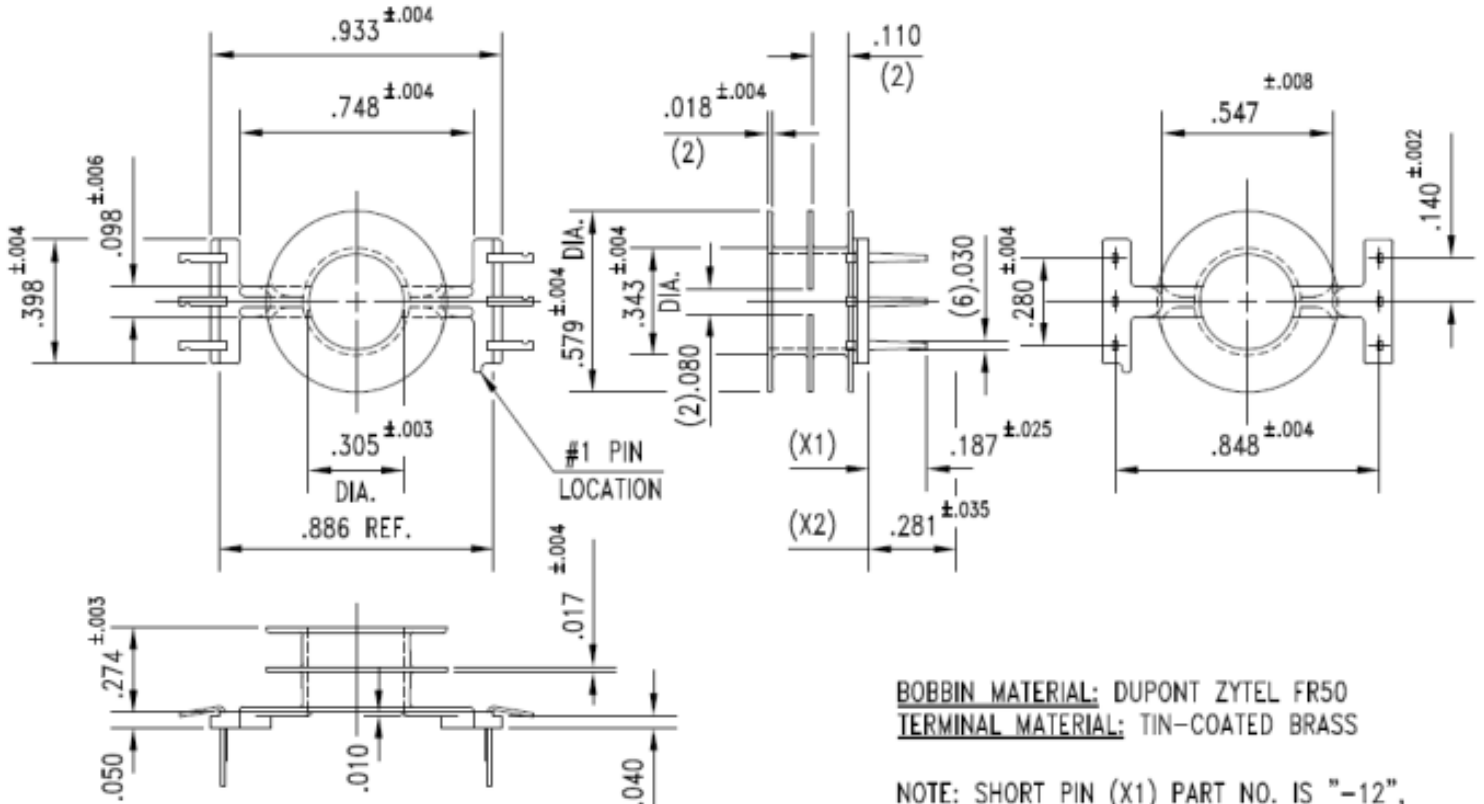




Specification for:
PCB181122

110 Delta Drive
 Pittsburgh, PA 15238
 Phone: 412/696-1333
 Fax: 412/696-0333
 Email:magnetics@spang.com



BOBBIN MATERIAL: DUPONT ZYTEL FR50
TERMINAL MATERIAL: TIN-COATED BRASS

NOTE: SHORT PIN (X1) PART NO. IS "-12",
 LONG PIN (X2) PART NO. IS "-22"

MATERIAL

Material: DuPont Zytel FR50; UL File Number E41938
 Pin Material: Tin-Coated Brass

REMARKS

Revision E