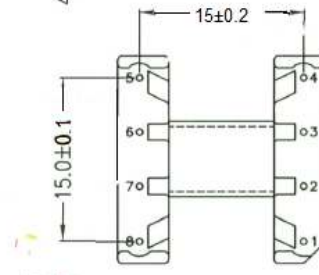
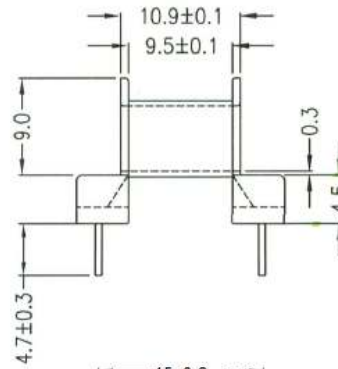
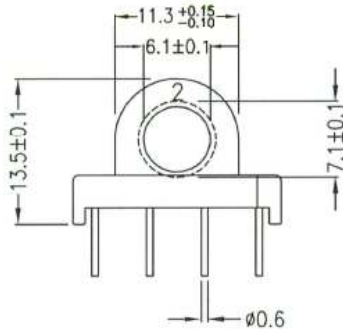
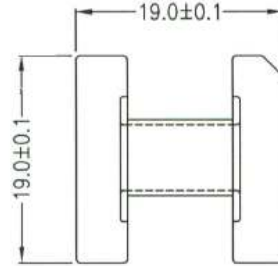




Specification for:  
**PCB17178A**

110 Delta Drive  
Pittsburgh, PA 15238  
Phone: 412/696-1333  
Fax: 412/696-0333  
Email:magnetics@spang.com



**MATERIAL**

Material: PM9630  
Pin Material: CP Wire

**REMARKS**

Revision -