

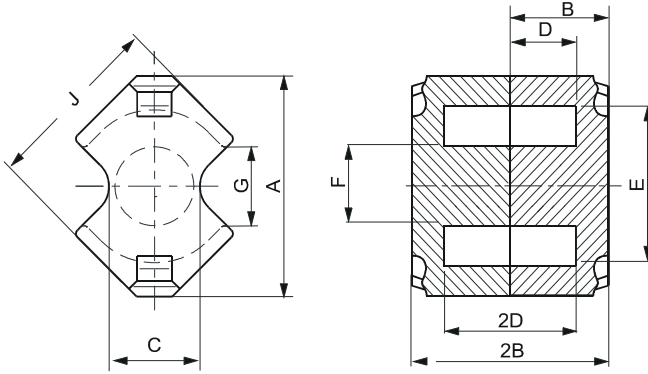


Specification for:

NR41812UG

Drive
 Pittsburgh, PA 15238
 Phone: 412/696-1333
 Fax: 412/696-0333
 Email: magnetics@spang.com

DIMENSIONS



(mm)	Nominal:	Tol. min.:	Tol. max.:
A	17.9	-0.7	0.0
B	6.2	-0.05	+ 0.05
2B	12.4	-0.1	+ 0.1
C	7.4	-0.4	0.0
D	4.0	0.0	+ 0.2
2D	8.0	0.0	+ 0.4
E	12.4	0.0	+ 0.5
F	6.4	-0.2	0.0
G	5.85 Nom.		
J	14.7	-0.6	0.0
Eff. Parameters			
Ae mm²	Amin mm²	le mm	Ve mm³
38.0	31.2	27.5	1040

INDUCTANCE

AL value (nH)	Test conditions
Nom: 2387 Min.: 1790	10 kHz, < 0.5 mT, 25 °C

MARKING

R UG

CORE LOSSES

P _i max	Test conditions
96 mW/cm ³ (0.1 W/set)	100 kHz, 100 mT, 100 °C
673 mW/cm ³ (0.7 W/set)	100 kHz, 200 mT, 100 °C

NOTE

Spec. modifications	Previous	Revised
2005-06-22	Losses: General R material	Losses: Detail as indicated