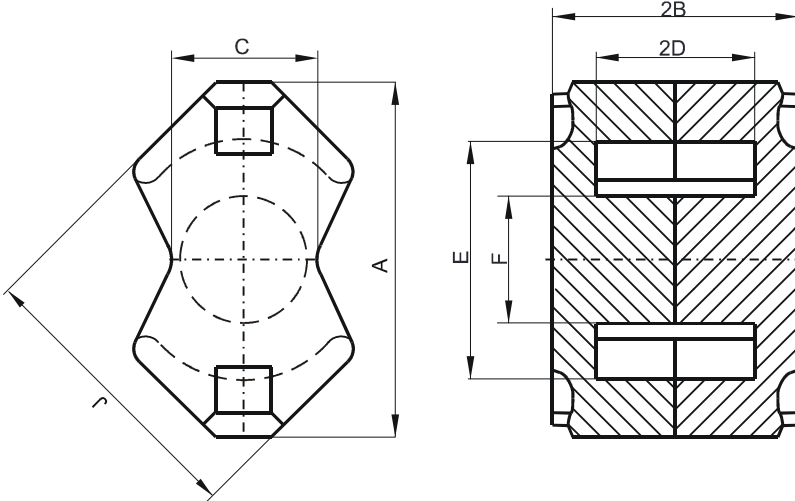


Specification for:

NP43723UG

110 Delta Drive
Pittsburgh, PA 15238
Phone: 412/696-1333
Fax: 412/696-0333
Email:magnetics@spang.com

DIMENSIONS



(mm)	Nominal:	Tol. min.:	Tol. max.:
A	37.4	-1.3	0.0
B	12.25	-0.05	+ 0.05
C	16.1	-0.5	0.0
D	8.4	0.0	+ 0.3
E	24.9	0.0	+ 1.1
F	12.8	-0.4	0.0
G	12.9 min.		
J	29.8	-1.1	0.0
Eff. Parameters			
Ae mm ²	Amin mm ²	le mm	Ve mm ³
146	125	56.6	8340

INDUCTANCE

AL value (nH)	Test conditions
Nom: 5000 Min.: 3750	10 kHz, < 0.5 mT, 25 °C

MARKING

P UG

CORE LOSSES

P _i max	Test conditions
110 mW/cm ³ (0.9174 W/set)	100 kHz, 100 mT, 100 °C

NOTE

Spec. modifications	Previous	Revised
2005-06-22	B=11.73±0.05 2B=23.46±0.1 C=15.9 NOM. E=24.99 MIN. G=15.2 NOM. LOSSES:GENERAL P MATERIAL	B=12.25±0.05 2B=24.5±0.1 C=16.1 MAX. C=15.6 MIN. E=24.9 MIN. G=12.9 MIN.. LOSSES: DETAIL AS INDICATED