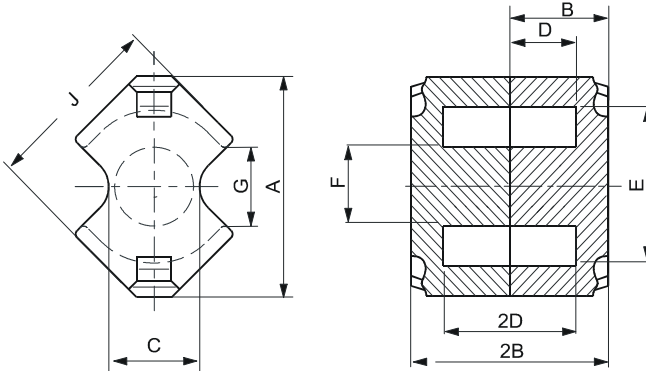


DIMENSIONS



(mm)	Nominal:	Tol. min.:	Tol. max.:
A	17.9	-0.7	0.0
B	6.2	-0.05	+ 0.05
2B	12.4	-0.1	+ 0.1
C	7.4	-0.4	0.0
D	4.0	0.0	+ 0.2
2D	8.0	0.0	+ 0.4
E	12.4	0.0	+ 0.5
F	6.4	-0.2	0.0
G	5.85 Nom.		
J	14.7	-0.6	0.0
Eff. Parameters			
Ae mm²	Amin mm²	le mm	Ve mm³
38.0	31.2	27.5	1040

INDUCTANCE

MARKING

AL value (nH/T²)	Test conditions	No marking
Nom: 2600 Min.: 1950	10 kHz, < 0.5 mT, 25 °C	

CORE LOSSES

P_i max	Test conditions
125 mW/cm ³ (0.13 W/set)	100 kHz, 100 mT, 100 °C

NOTE

Spec. modifications	Previous	Revised
2005-06-22	Losses: General P material Marking	Losses: Detail as indicated No marking