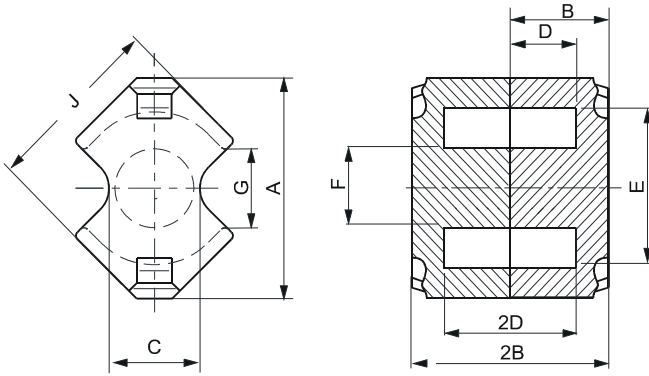


Specification for:

NF41812UG

110 Delta Drive
Pittsburgh, PA 15238
Phone: 412/696-1333
Fax: 412/696-0333
Email: magnetics@spang.com

DIMENSIONS



(mm)	Nominal:	Tol. min.:	Tol. max.:
A	17.9	-0.7	0.0
B	6.2	-0.05	+ 0.05
2B	12.4	-0.1	+ 0.1
C	7.4	-0.4	0.0
D	4.0	0.0	+ 0.2
2D	8.0	0.0	+ 0.4
E	12.4	0.0	+ 0.5
F	6.4	-0.2	0.0
G	5.85 Nom.		
J	14.7	-0.6	0.0
Eff. Parameters			
Ae mm ²	Amin mm ²	le mm	Ve mm ³
38.0	31.2	27.5	1040

INDUCTANCE

AL value (nH)	Test conditions
3080 ± 25%	10 kHz, < 0.5 mT, 25 °C

MARKING

No marking

CORE LOSSES

P _i max	Test conditions
231 mW/cm ³ (0.24 W/set)	25 kHz, 200 mT, 100 °C

NOTE

Spec. modifications	Previous	Revised
2005-06-22	Losses: General F material Marking	Losses: Detail as indicated No marking