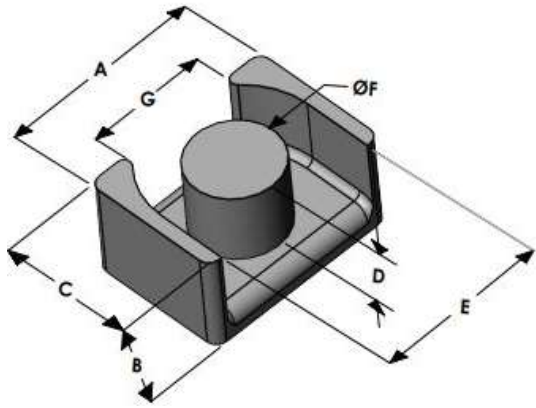




# LPX4225E026L123

110 Delta Drive  
 Pittsburgh, PA 15238  
 NAFTA Sales: (1)800-245-3984  
 HK Sales : (852)3102-9337  
 magnetics@spang.com  
 www.mag-inc.com



| XFlux Permeability ( $\mu$ ) | $A_L$ (nH/T <sup>2</sup> ) | Core Marking |                 |
|------------------------------|----------------------------|--------------|-----------------|
|                              |                            | Lot Number   | Part Number     |
| 26                           | 106 $\pm$ 8%               | XXXXXX       | LPX4225E026L123 |

|          | Dimensions |       | Tolerance ( $\pm$ ) |       | Packaging          |
|----------|------------|-------|---------------------|-------|--------------------|
|          | (mm)       | (in)  | (mm)                | (in)  |                    |
| <b>A</b> | 42.00      | 1.653 | 0.50                | 0.020 | Box Qty= 180 Pcs   |
| <b>B</b> | 12.30      | 0.484 | 0.20                | 0.008 |                    |
| <b>C</b> | 25.00      | 0.984 | 0.30                | 0.012 |                    |
| <b>D</b> | 7.90       | 0.311 | 0.20                | 0.008 | Available Hardware |
| <b>E</b> | 35.20      | 1.385 | 0.40                | 0.016 |                    |
| <b>F</b> | 16.20      | 0.638 | 0.30                | 0.012 |                    |
| <b>G</b> | 27.25      | 1.072 | 0.35                | 0.014 |                    |

| Electrical Characteristics                         |                        |     | Physical Characteristics |                                      |  |                        |                                 |                             |
|--|------------------------|-----|--------------------------|--------------------------------------|--|------------------------|---------------------------------|-----------------------------|
| Watt Loss @ 50kHz, 100mT max (mW/cm <sup>3</sup> ) | DC Bias min (oersteds) |     | Break Strength typ (kg)  | Window Area $W_a$ (mm <sup>2</sup> ) | Cross Section $A_c$ (mm <sup>2</sup> ) | Path Length $L_e$ (mm) | Volume $V_e$ (mm <sup>3</sup> ) | Est. Weight (Ea. Piece) (g) |
|  | 80%                    | 50% |                          |                                      |  |                        |                                 |                             |
| 425  | 140                    | 250 | 53                       | 150                                  | 206                                    | 76.1                   | 15,680                          | 43                          |

Note: Standard AL is controlled with full window high turns test coils. Application coils with few turns often result in lower inductance than expected, or sometimes higher.

| Notes: | Temperature Rating |
|--------|--------------------|
|        | Curie Temp: 700 °C |

