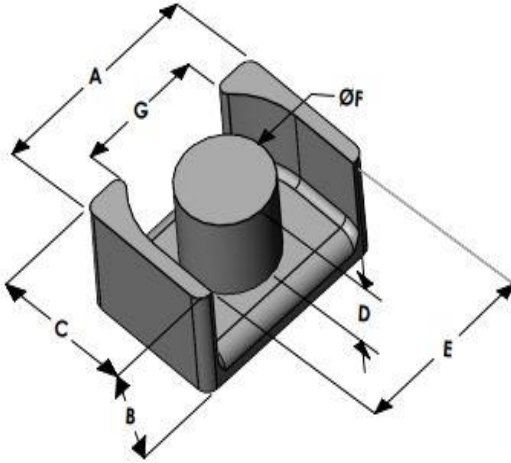




LPX3624E026L144

110 Delta Drive
 Pittsburgh, PA 15238
 NAFTA Sales: (1)800-245-3984
 HK Sales : (852)3102-9337
 magnetics@spang.com
 www.mag-inc.com



XFlux Permeability (μ)	A_L (nH/T ²)	Core Marking	
		Lot Number	Part number
26	72 \pm 8%	XXXXXX	LPX3624E026L144

	Dimensions		Tolerance (\pm)		Packaging
	(mm)	(in)	(mm)	(in)	
A	36.20	0.984	0.40	0.012	Box Qty: TBD
B	14.40	0.390	0.20	0.008	
C	24.00	0.709	0.30	0.008	
D	10.40	0.272	0.20	0.008	Available Hardware
E	30.40	0.827	0.40	0.008	
F	15.00	0.433	0.20	0.008	
G					

Electrical Characteristics			Physical Characteristics					
Watt Loss @ 50 kHz, 100 mT typical (mW/cm ³)	DC Bias typical (Oersted)		Break Strength typical (kg)	Window Area W_A (mm ²)	Cross Section A_e (mm ²)	Path Length L_e (mm)	Volume V_e (mm ³)	Weight (Ea. Piece) (g)
	80%	50%						
400	370	640	TBD	TBD	177.0	80.60	14,270	51

Notes:	Temperature Rating
	Curie Temp: 700°C

