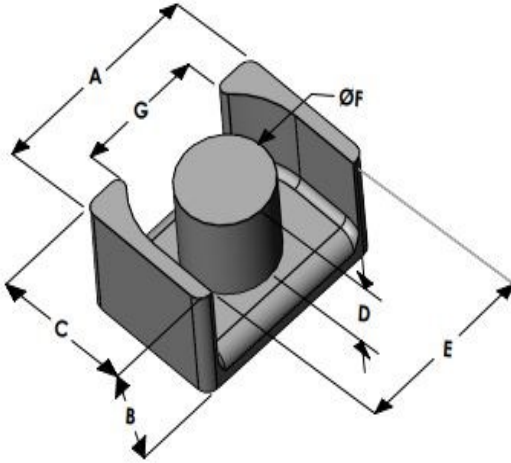




LPX2518E060L099

110 Delta Drive
 Pittsburgh, PA 15238
 NAFTA Sales: (1)800-245-3984
 HK Sales : (852)3102-9337
 magnetics@spang.com
 www.mag-inc.com



XFlux Permeability (μ)	A_L (nH/T ²)	Core Marking	
		Lot Number	Part number
60	130 ± 8%	XXXXXX	LPX2518E060L099

	Dimensions		Tolerance (\pm)		Packaging
	(mm)	(in)	(mm)	(in)	
A	25.00	0.984	0.30	0.012	Box Qty: 588
B	9.90	0.390	0.20	0.008	
C	18.00	0.709	0.20	0.008	
D	6.90	0.272	0.20	0.008	Available Hardware
E	21.00	0.827	0.30	0.008	
F	11.00	0.433	0.20	0.008	
G	14.21	0.559	0.30	0.012	

Electrical Characteristics			Physical Characteristics					
Watt Loss @ 50 kHz, 100 mT typical (mW/cm ³)	DC Bias typical (Oersted)		Break Strength typical (kg)	Window Area W_A (mm ²)	Cross Section A_e (mm ²)	Path Length L_e (mm)	Volume V_e (mm ³)	Weight (Ea. Piece) (g)
	80%	50%						
410	115	195	TBD	78.00	96.00	55.70	5350	17.1

Notes:	Temperature Rating
	Curie Temp: 700°C

