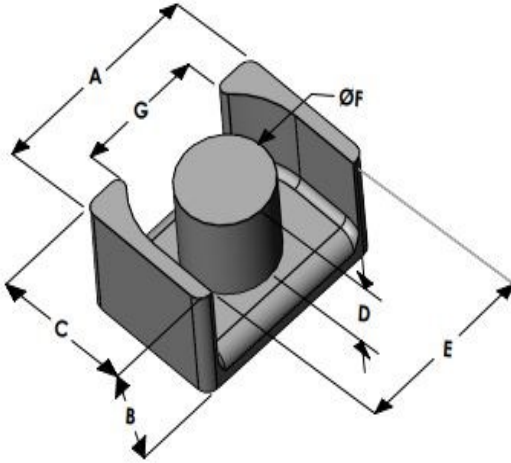




# LPX2314E060L087

110 Delta Drive  
 Pittsburgh, PA 15238  
 NAFTA Sales: (1)800-245-3984  
 HK Sales : (852)3102-9337  
 magnetics@spang.com  
 www.mag-inc.com



XFlux Permeability ( $\mu$ )	$A_L$ (nH/T <sup>2</sup> )	Core Marking	
		Lot Number	Part number
60	103 $\pm$ 8%	XXXXXX	LPX2314E060L087

	Dimensions		Tolerance ( $\pm$ )		Packaging
	(mm)	(in)	(mm)	(in)	
<b>A</b>	23.39	0.921	0.30	0.012	<b>Box Qty: 630</b>
<b>B</b>	8.71	0.343	0.20	0.008	
<b>C</b>	14.00	0.551	0.20	0.008	
<b>D</b>	6.20	0.244	0.20	0.008	<b>Available Hardware</b>
<b>E</b>	19.41	0.764	0.20	0.008	
<b>F</b>	9.19	0.362	0.20	0.008	
<b>G</b>					

Electrical Characteristics			Physical Characteristics					
Watt Loss @ 50 kHz, 100 mT typical (mW/cm <sup>3</sup> )	DC Bias typical (Oersted)		Break Strength typical (kg)	Window Area $W_A$ (mm <sup>2</sup> )	Cross Section $A_e$ (mm <sup>2</sup> )	Path Length $L_e$ (mm)	Volume $V_e$ (mm <sup>3</sup> )	Weight (Ea. Piece) (g)
	80%	50%						
410	115	195	TBD	63.24	67.0	49.1	3,290	12

Notes:	Temperature Rating
	Curie Temp: 500°C

