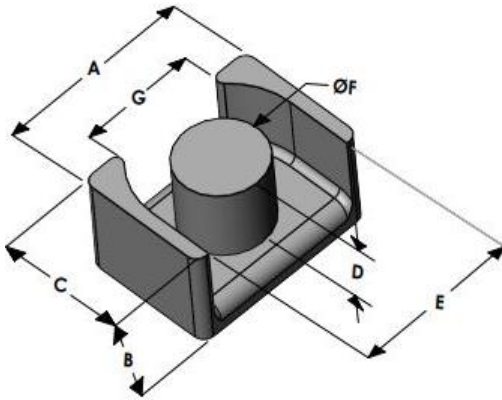




# LPT4225E040L158

110 Delta Drive  
 Pittsburgh, PA 15238  
 NAFTA Sales: (1)800-245-3984  
 HK Sales : (852)3102-9337  
 magnetics@spang.com  
 www.mag-inc.com



XFlux Ultra Permeability ( $\mu$ )	AL (nH/T <sup>2</sup> )	Core Marking	
		Lot Number	Part Number
40	132 $\pm$ 8%	XXXXXX	LPT4225E040L158

	Dimensions		Tolerance ( $\pm$ )		Packaging
	(mm)	(in)	(mm)	(in)	
A	42.00	1.65	0.30	0.01	Est. Box Qty= 180 Pcs
B	15.80	0.62	0.20	0.01	
C	25.00	0.98	0.30	0.01	
D	11.40	0.45	0.20	-	Available Hardware
E	35.20	1.39	0.40	-	
F	16.20	0.64	0.30	0.01	
G	27.25	1.07	0.35	-	
				-	

Electrical Characteristics			Physical Characteristics					
Watt Loss @ 50kHz, 100mT max (mW/cm <sup>3</sup> )	DC Bias min (oersteds)		Break Strength typ (kg)	Window Area W <sub>a</sub> (mm <sup>2</sup> )	Cross Section A <sub>e</sub> (mm <sup>2</sup> )	Path Length L <sub>e</sub> (mm)	Volume V <sub>e</sub> (mm <sup>3</sup> )	Est. Weight (Ea. Piece) (g)
	80%	50%						
450	100	190	73	217	206	90.1	18,560	56.2

Note: Standard AL is controlled with full window high turns test coils. Application coils with few turns often result in lower inductance than expected, or sometimes higher.

Notes:	Temperature Rating
	Curie Temp: 700

