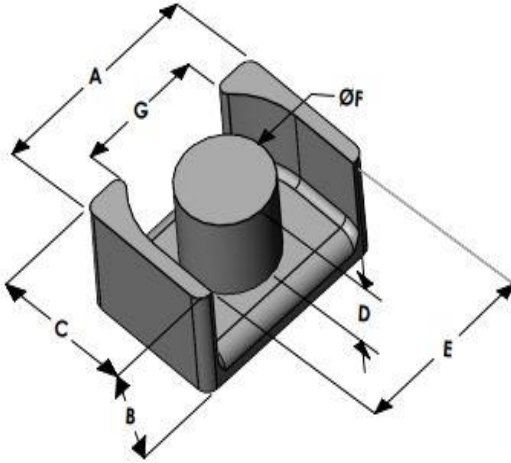




# LPH4225E060L158

110 Delta Drive  
 Pittsburgh, PA 15238  
 NAFTA Sales: (1)800-245-3984  
 HK Sales : (852)3102-9337  
 magnetics@spang.com  
 www.mag-inc.com



High Flux Permeability ( $\mu$ )	$A_L$ (nH/T <sup>2</sup> )	Core Marking	
		Lot Number	Part number
60	172 ± 8%	XXXXXX	LPH4225E060L158

	Dimensions		Tolerance (±)		Packaging
	(mm)	(in)	(mm)	(in)	
A	42.00	1.654	0.50	0.020	Box Qty: 180
B	15.80	0.622	0.20	0.008	
C	25.00	0.984	0.30	0.012	
D	11.40	0.449	0.20	0.008	Available Hardware
E	35.20	1.386	0.40	0.016	
F	16.20	0.638	0.30	0.012	
G	27.25	1.073	0.35	0.014	

Electrical Characteristics			Physical Characteristics					
Watt Loss @ 100 kHz, 100 mT typical (mW/cm <sup>3</sup> )	DC Bias typical (Oersted)		Break Strength typical (kg)	Window Area W <sub>A</sub> (mm <sup>2</sup> )	Cross Section A <sub>e</sub> (mm <sup>2</sup> )	Path Length L <sub>e</sub> (mm)	Volume V <sub>e</sub> (mm <sup>3</sup> )	Weight (Ea. Piece) (g)
	650	80% 105						

Notes:	Temperature Rating
	Curie Temp: 500°C

