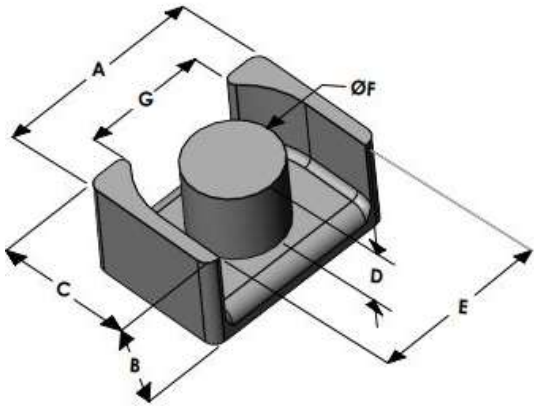




LPH4225E026L158

110 Delta Drive
 Pittsburgh, PA 15238
 NAFTA Sales: (1)800-245-3984
 HK Sales : (852)3102-9337
 magnetics@spang.com
 www.mag-inc.com



| High Flux Permeability (μ) | A_L (nH/T ²) | Core Marking | |
|----------------------------------|----------------------------|--------------|-----------------|
| | | Lot Number | Part Number |
| 26 | 90 ± 8% | XXXXXX | LPH4225E026L158 |

| | Dimensions | | Tolerance (±) | | Packaging |
|---|------------|-------|---------------|-------|--------------------|
| | (mm) | (in) | (mm) | (in) | |
| A | 42.00 | 1.653 | 0.30 | 0.012 | Box Qty= 180 Pcs |
| B | 15.80 | 0.622 | 0.20 | 0.008 | |
| C | 25.00 | 0.984 | 0.30 | 0.012 | |
| D | 11.40 | 0.449 | 0.20 | 0.008 | Available Hardware |
| E | 35.20 | 1.385 | 0.40 | 0.016 | |
| F | 16.20 | 0.638 | 0.30 | 0.012 | |
| G | 27.25 | 1.072 | 0.35 | 0.014 | |

| Electrical Characteristics | | | Physical Characteristics | | | | | |
|--|------------------------|-----|--------------------------|---|---|---------------------------------|--|-----------------------------|
| Watt Loss @ 100 kHz, 100mT max (mW/cm ³) | DC Bias min (oersteds) | | Break Strength typ (kg) | Window Area W _a (mm ²) | Cross Section A _e (mm ²) | Path Length L _e (mm) | Volume V _e (mm ³) | Est. Weight (Ea. Piece) (g) |
| | 80% | 50% | | | | | | |
| 850 | 190 | 320 | 53 | 217 | 206 | 90.1 | 18,560 | TBD |

Note: Standard AL is controlled with full window high turns test coils. Application coils with few turns often result in lower inductance than expected, or sometimes higher.

| Notes: | Temperature Rating |
|--------|--------------------|
| | Curie Temp: 500 °C |

