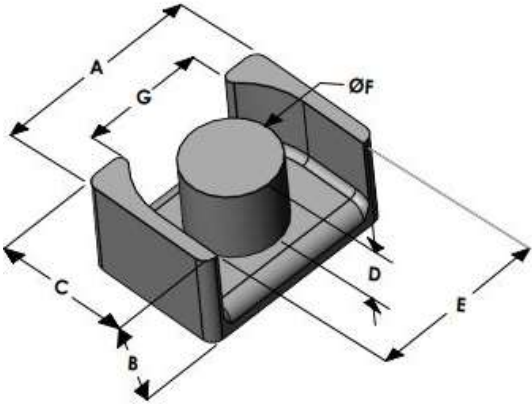




LPH2314E026L087

110 Delta Drive
 Pittsburgh, PA 15238
 NAFTA Sales: (1)800-245-3984
 HK Sales : (852)3102-9337
 magnetics@spang.com
 www.mag-inc.com



| High Flux Permeability (μ) | A_L (nH/T ²) | Core Marking | |
|----------------------------------|----------------------------|--------------|-----------------|
| | | Lot Number | Part Number |
| 26 | 54 ± 8% | XXXXXX | LPH2314E026L087 |

| | Dimensions | | Tolerance (±) | | Packaging |
|---|------------|-------|---------------|-------|--------------------|
| | (mm) | (in) | (mm) | (in) | |
| A | 23.39 | 0.921 | 0.30 | 0.012 | Box Qty= 630 Pcs |
| B | 8.71 | 0.343 | 0.20 | 0.008 | |
| C | 14.00 | 0.551 | 0.20 | 0.008 | |
| D | 6.20 | 0.244 | 0.20 | 0.008 | Available Hardware |
| E | 19.41 | 0.764 | 0.20 | 0.008 | |
| F | 9.19 | 0.362 | 0.20 | 0.008 | |
| G | | | | | |

| Electrical Characteristics | | | Physical Characteristics | | | | | |
|--|------------------------|-----|--------------------------|--------------------------------------|--|------------------------|---------------------------------|-----------------------------|
| Watt Loss @ 100 kHz, 100mT max (mW/cm ³) | DC Bias min (oersteds) | | Break Strength typ (kg) | Window Area W_a (mm ²) | Cross Section A_c (mm ²) | Path Length L_e (mm) | Volume V_e (mm ³) | Est. Weight (Ea. Piece) (g) |
| 850 | 80% | 50% | 27 | 63.4 | 67.0 | 49.1 | 3,290 | TBD |
| | 190 | 320 | | | | | | |

Note: Standard AL is controlled with full window high turns test coils. Application coils with few turns often result in lower inductance than expected, or sometimes higher.

| Notes: | Temperature Rating |
|--------|--------------------|
| | Curie Temp: 500 °C |

