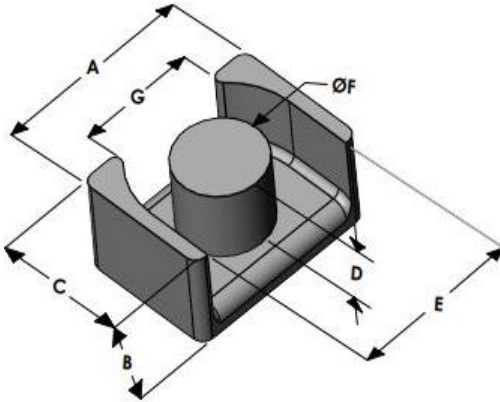




# LPG3222E075L152

110 Delta Drive  
 Pittsburgh, PA 15238  
 NAFTA Sales: (1)800-245-3984  
 HK Sales : (852)3102-9337  
 magnetics@spang.com  
 www.mag-inc.com



Edge Permeability ( $\mu$ )	$A_L$ (nH/T <sup>2</sup> )	Core Marking	
		Lot Number	Part Number
75	171 ± 8%	XXXXXX	LPG3222E075L152

	Dimensions		Tolerance ( $\pm$ )		Packaging
	(mm)	(in)	(mm)	(in)	
A	32.00	1.260	0.40	0.016	Box Qty = 300 Pcs
B	15.20	0.598	0.20	0.008	
C	22.00	0.866	0.30	0.012	
D	11.50	0.453	0.20	0.008	Available Hardware
E	27.00	1.063	0.30	0.012	
F	13.50	0.531	0.20	0.008	
G	19.64	0.773	-	-	Nom

Electrical Characteristics			Physical Characteristics					
Watt Loss @ 100 kHz, 100mT max (mW/cm <sup>3</sup> )	DC Bias min (oersteds)		Break Strength min (kg)	Window Area $W_a$ (mm <sup>2</sup> )	Cross Section $A_e$ (mm <sup>2</sup> )	Path Length $L_e$ (mm)	Volume $V_e$ (mm <sup>3</sup> )	Est. Weight (Ea. Piece) (g)
550	80%	50%	38	155	143	82.1	11,700	43.4
	75	115						

Note: Standard  $A_L$  is controlled with full window high turns test coils. Application coils with few turns often result in lower inductance than expected, or sometimes higher.

Notes:	Temperature Rating
	Curie Temp: 500 °C

