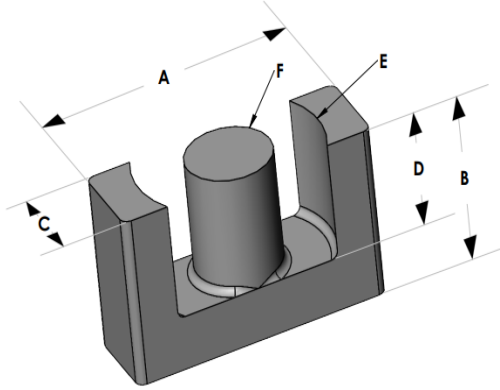




ERX4013E060L224

110 Delta Drive
 Pittsburgh, PA 15238
 NAFTA Sales: (1)800-245-3984
 HK Sales : (852)3102-9337
 magnetics@spang.com
 www.mag-inc.com



| XFlux Permeability (μ) | A_L (nH/T ²) | Core Marking | |
|------------------------------|----------------------------|--------------|-----------------|
| | | Lot Number | Part number |
| 60 | 111 \pm 8% | XXXXXX | ERX4013E060L224 |

| | Dimensions | | Tolerance (\pm) | | Packaging | |
|---|------------|-------|---------------------|-------|--------------|--------------------|
| | (mm) | (in) | (mm) | (in) | | |
| A | 40.00 | 1.575 | 0.50 | 0.020 | Box Qty= TBD | |
| B | 22.40 | 0.882 | 0.30 | 0.012 | | |
| C | 13.30 | 0.524 | 0.30 | 0.012 | | |
| D | 15.40 | 0.606 | | | Nom. | Available Hardware |
| E | 29.00 | 1.142 | 0.40 | 0.016 | | |
| F | 13.30 | 0.524 | 0.30 | 0.012 | | |

| Electrical Characteristics | | Physical Characteristics | | | | | |
|--|------------------|--------------------------|---|---|---------------------------------|--|------------------------|
| Watt Loss @ 50 kHz, 100mT max(mW/cm ³) | DC Bias min (Oe) | Break Strength min (kg) | Window Area W _A (mm ²) | Cross Section A _e (mm ²) | Path Length L _e (mm) | Volume V _e (mm ³) | Weight (Ea. Piece) (g) |
| 750 | 80% | TBD | 240 | 149.1 | 111.3 | 16,600 | 55 |
| | 75 | | | | | | |

| Notes: | Temperature Rating |
|--------|--------------------|
| | Curie Temp: 700°C |

