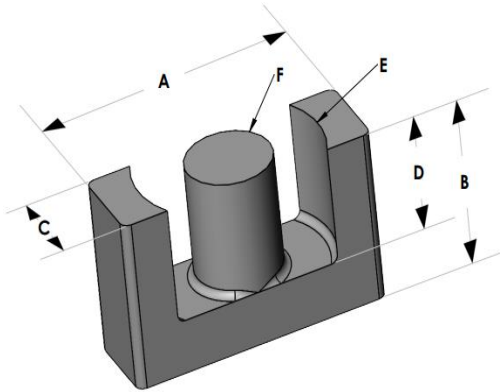




# ERX4013E060L174

110 Delta Drive  
 Pittsburgh, PA 15238  
 NAFTA Sales: (1)800-245-3984  
 HK Sales : (852)3102-9337  
 magnetics@spang.com  
 www.mag-inc.com



XFlux Permeability ( $\mu$ )	$A_L$ (nH/T <sup>2</sup> )	Core Marking	
		Lot Number	Part number
60	135 $\pm$ 8%	XXXXXX	ERX4013E060L174

	Dimensions		Tolerance ( $\pm$ )		Packaging	
	(mm)	(in)	(mm)	(in)		
A	40.00	1.575	0.50	0.020	Box Qty= TBD	
B	17.40	0.685	0.30	0.012		
C	13.30	0.524	0.30	0.012		
D	10.40	0.409			Nom.	Available Hardware
E	29.00	1.142	0.40	0.016		
F	13.30	0.524	0.30	0.012		

Electrical Characteristics		Physical Characteristics					
Watt Loss @ 50 kHz, 100mT max(mW/cm <sup>3</sup> )	DC Bias min (Oe)	Break Strength min (kg)	Window Area W <sub>A</sub> (mm <sup>2</sup> )	Cross Section A <sub>e</sub> (mm <sup>2</sup> )	Path Length L <sub>e</sub> (mm)	Volume V <sub>e</sub> (mm <sup>3</sup> )	Weight (Ea. Piece) (g)
750	80%	TBD	240	149.1	91.3	13,600	45.5
	75						

Notes:	Temperature Rating
	Curie Temp: 700°C

