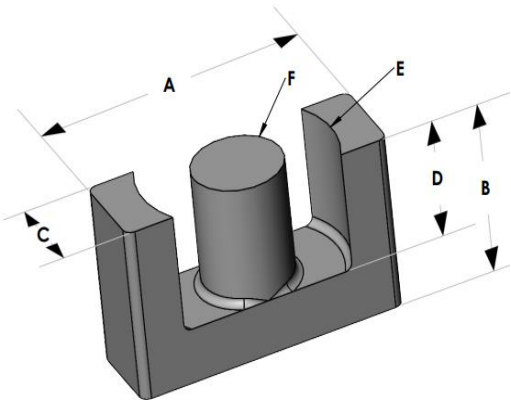




ERX4013E026L224

110 Delta Drive
 Pittsburgh, PA 15238
 NAFTA Sales: (1)800-245-3984
 HK Sales : (852)3102-9337
 magnetics@spang.com
 www.mag-inc.com

XFlux Permeability (μ)	A_L (nH/T ²)	Core Marking	
		Lot Number	Part Number
26	59 ± 8%	XXXXXX	ERX4013E026L224



	Dimensions		Tolerance (±)			Packaging
	(mm)	(in)	(mm)	(in)		
A	40.00	1.575	0.50	0.020		Box Qty = 180 Pcs
B	22.40	0.882	0.30	0.012		
C	13.30	0.524	0.30	0.012		
D	15.40	0.606	-	-	Nom	Available Hardware
E	29.00	1.142	0.40	0.016		
F	13.30	0.524	0.30	0.012		

Electrical Characteristics			Physical Characteristics					
Watt Loss @ 50kHz, 100mT max (mW/cm ³)	DC Bias min (oersteds)		Break Strength nom (kg)	Window Area W_a (mm ²)	Cross Section A_e (mm ²)	Path Length L_e (mm)	Volume V_e (mm ³)	Est. Weight (Ea. Piece) (g)
	80%	50%						
500	195	340	45	241	149.1	111.3	16,600	56

Notes:	Temperature Rating
	Curie Temp: 700 °C

