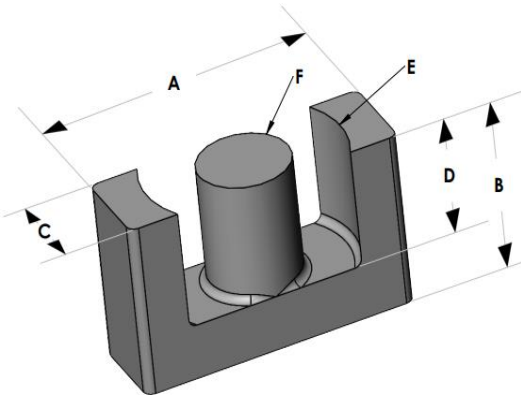




# ERK4013LE060

110 Delta Drive  
 Pittsburgh, PA 15238  
 NAFTA Sales: (1)800-245-3984  
 HK Sales : (852)3102-9337  
 magnetics@spang.com  
 www.mag-inc.com

Kool M $\mu$ Permeability ( $\mu$ )	AL (nH/T <sup>2</sup> )	Core Marking	
		Lot Number	Part Number
60	111 $\pm$ 8%	XXXXXX	ERK4013LE060



	Dimensions		Tolerance ( $\pm$ )		Packaging
	(mm)	(in)	(mm)	(in)	
A	40.00	1.57	0.30	0.012	TBD
B	22.40	0.88	0.20	0.008	
C	13.30	0.52	0.20	0.008	
D	15.40	0.61			Available Hardware
E	29.00	1.14	0.20	0.008	
F	13.30	0.52	0.20	0.008	

Electrical Characteristics			Physical Characteristics					
Watt Loss @ 100 kHz, 100mT max (mW/cm <sup>3</sup> )	DC Bias min (oersteds)		Break Strength (kg)	Window Area W <sub>a</sub> (mm <sup>2</sup> )	Cross Section A <sub>e</sub> (mm <sup>2</sup> )	Path Length L <sub>e</sub> (mm)	Volume V <sub>e</sub> (mm <sup>3</sup> )	Est. Weight (Ea. Piece) (g)
	80%	50%						
750	39	87	TBD	242	149	111	16,600	88.0

Notes:	Temperature Rating
	Curie Temp: 700°C

