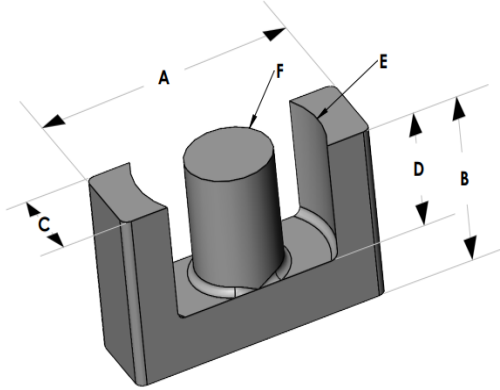




ERK4013E026L224

110 Delta Drive
 Pittsburgh, PA 15238
 NAFTA Sales: (1)800-245-3984
 HK Sales : (852)3102-9337
 magnetics@spang.com
 www.mag-inc.com



Kool M μ Permeability (μ)	A _L (nH/T ²)	Core Marking	
		Lot Number	Part number
26	59 ± 8%	XXXXXX	ERK4013E026L224

	Dimensions		Tolerance (±)		Packaging	
	(mm)	(in)	(mm)	(in)		
A	40.00	1.575	0.50	0.020	Box Qty= TBD	
B	22.40	0.882	0.30	0.012		
C	13.30	0.524	0.30	0.012		
D	15.40	0.606			Nom.	Available Hardware
E	29.00	1.142	0.40	0.016		
F	13.30	0.524	0.30	0.012		

Electrical Characteristics		Physical Characteristics					
Watt Loss @ 100 kHz, 100mT max(mW/cm ³)	DC Bias min (Oe)	Break Strength min (kg)	Window Area W _A (mm ²)	Cross Section A _e (mm ²)	Path Length L _e (mm)	Volume V _e (mm ³)	Weight (Ea. Piece) (g)
900	80%	TBD	240	149.1	111.3	16,600	45
	80						

Notes:	Temperature Rating
	Curie Temp: 500°C

