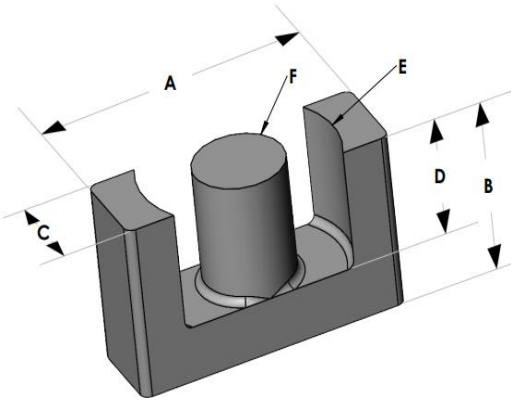




ERH4917E026L247

110 Delta Drive
 Pittsburgh, PA 15238
 NAFTA Sales: (1)800-245-3984
 HK Sales : (852)3102-9337
 magnetics@spang.com
 www.mag-inc.com

High Flux Permeability (μ)	A_L (nH/T ²)	Core Marking	
		Lot Number	Part Number
26	77 ± 8%	XXXXXX	ERH4917E026L247



	Dimensions		Tolerance (±)		Packaging	
	(mm)	(in)	(mm)	(in)		
A	49.00	1.929	0.70	0.028	Box Qty = 112 Pcs	
B	24.70	0.972	0.50	0.020		
C	17.20	0.677	0.50	0.020		
D	18.60	0.732	18.10	0.713	Min	Available Hardware
E	36.50	1.437	0.60	0.024		
F	17.20	0.677	0.30	0.012		

Electrical Characteristics			Physical Characteristics					
Watt Loss @ 100 kHz, 100mT max (mW/cm ³)	DC Bias min (oersteds)		Break Strength min (kg)	Window Area W_a (mm ²)	Cross Section A_e (mm ²)	Path Length L_e (mm)	Volume V_e (mm ³)	Est. Weight (Ea. Piece) (g)
	80%	50%						
900	180	270	24	358	235.3	119.3	28,100	88

Notes:	Temperature Rating
	Curie Temp: 500 °C

