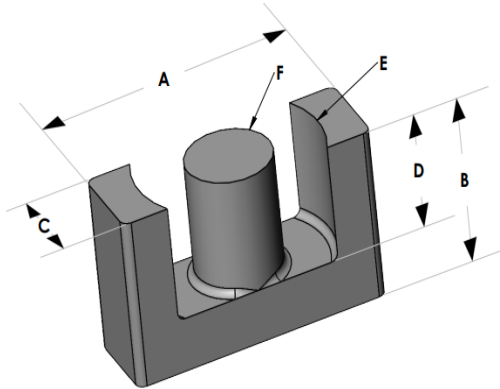




# ERH4013E060L224

110 Delta Drive  
 Pittsburgh, PA 15238  
 NAFTA Sales: (1)800-245-3984  
 HK Sales : (852)3102-9337  
 magnetics@spang.com  
 www.mag-inc.com



High Flux Permeability ( $\mu$ )	$A_L$ (nH/T <sup>2</sup> )	Core Marking	
		Lot Number	Part number
60	111 $\pm$ 8%	XXXXXX	ERH4013E060L224

	Dimensions		Tolerance ( $\pm$ )		Packaging	
	(mm)	(in)	(mm)	(in)		
<b>A</b>	40.00	1.575	0.50	0.020	Box Qty= TBD	
<b>B</b>	22.40	0.882	0.30	0.012		
<b>C</b>	13.30	0.524	0.30	0.012		
<b>D</b>	15.40	0.606			Nom.	Available Hardware
<b>E</b>	29.00	1.142	0.40	0.016		
<b>F</b>	13.30	0.524	0.30	0.012		

Electrical Characteristics		Physical Characteristics					
Watt Loss @ 100 kHz, 100mT max(mW/cm <sup>3</sup> )	DC Bias min (Oe)	Break Strength min (kg)	Window Area W <sub>A</sub> (mm <sup>2</sup> )	Cross Section A <sub>e</sub> (mm <sup>2</sup> )	Path Length L <sub>e</sub> (mm)	Volume V <sub>e</sub> (mm <sup>3</sup> )	Weight (Ea. Piece) (g)
900	80%	TBD	240	149.1	111.3	16,600	59
	90						

Notes:	Temperature Rating
	Curie Temp: 500°C

