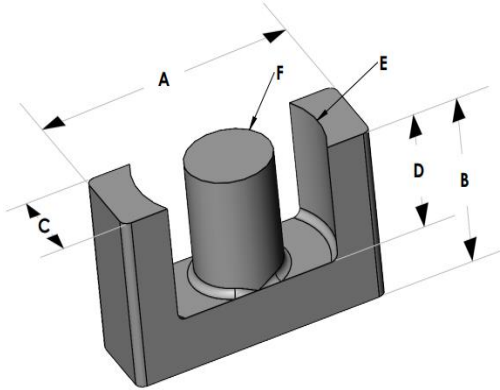




# ER2507E040L110

110 Delta Drive  
 Pittsburgh, PA 15238  
 NAFTA Sales: (1)800-245-3984  
 HK Sales : (852)3102-9337  
 magnetics@spang.com  
 www.mag-inc.com



High Flux Permeability ( $\mu$ )	$A_L$ (nH/T <sup>2</sup> )	Core Marking	
		Lot Number	Part number
40	47 ± 8%	XXXXXX	ER2507E040L110

	Dimensions		Tolerance (±)		Packaging	
	(mm)	(in)	(mm)	(in)		
A	25.50	1.004	0.30	0.012	Box Qty= TBD	
B	11.00	0.433	0.20	0.008		
C	7.50	0.295	0.20	0.008		
D	7.90	0.311			min	Available Hardware
E	19.80	0.780	0.20	0.008		
F	7.50	0.295	0.20	0.008		

Electrical Characteristics			Physical Characteristics					
Watt Loss @ 100 kHz, 100mT max(mW/cm <sup>3</sup> )	DC Bias min (Oe)		Break Strength min (kg)	Window Area W <sub>A</sub> (mm <sup>2</sup> )	Cross Section A <sub>e</sub> (mm <sup>2</sup> )	Path Length L <sub>e</sub> (mm)	Volume V <sub>e</sub> (mm <sup>3</sup> )	Weight (Ea. Piece) (g)
1000	80%	50%	TBD	48	45.0	57.8	2,600	TBD
	115	215						

Notes:	Temperature Rating
	Curie Temp: 500°C

