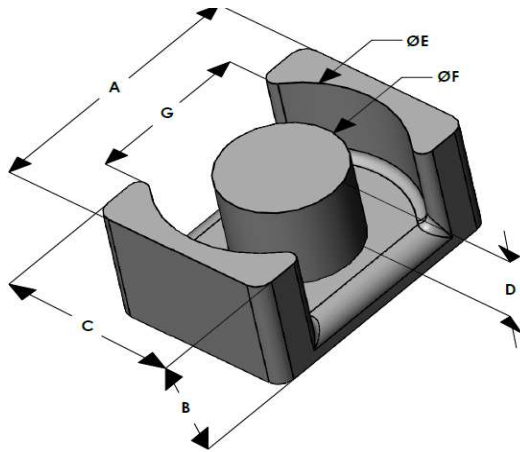




# EQY3626E040L174

110 Delta Drive  
 Pittsburgh, PA 15238  
 NAFTA Sales: (1)800-245-3984  
 HK Sales : (852)3102-9337  
 magnetics@spang.com  
 www.mag-inc.com



Kool M $\mu$ MAX Permeability ( $\mu$ )	A <sub>L</sub> (nH/T <sup>2</sup> )	Core Marking	
		Lot Number	Part Number
40	110 ± 8%	XXXXXX	EQY3626E040L174

	Dimensions		Tolerance (±)			Packaging
	(mm)	(in)	(mm)	(in)		
<b>A</b>	36.00	1.417	0.40	0.016		Box Qty= 240 Pcs
<b>B</b>	17.40	0.685	0.20	0.008		
<b>C</b>	26.00	1.023	0.30	0.012		
<b>D</b>	13.40	0.527	-	-	Nom	Available Hardware
<b>E</b>	32.00	1.259	0.30	0.012		
<b>F</b>	14.40	0.567	0.20	0.008		
<b>G</b>	22.30	0.878	0.30	0.012		

Electrical Characteristics			Physical Characteristics					
Watt Loss @ 100 kHz, 100mT max (mW/cm <sup>3</sup> )	DC Bias min (oersteds)		Break Strength typ (kg)	Window Area W <sub>a</sub> (mm <sup>2</sup> )	Cross Section A <sub>e</sub> (mm <sup>2</sup> )	Path Length L <sub>e</sub> (mm)	Volume V <sub>e</sub> (mm <sup>3</sup> )	Est. Weight (Ea. Piece) (g)
	775	80%						
	80	145	32	236	181	94.7	17,122	TBD

Note: Standard AL is controlled with full window high turns test coils. Application coils with few turns often result in lower inductance than expected, or sometimes higher.

Notes:	Temperature Rating
	Curie Temp: 500 °C

