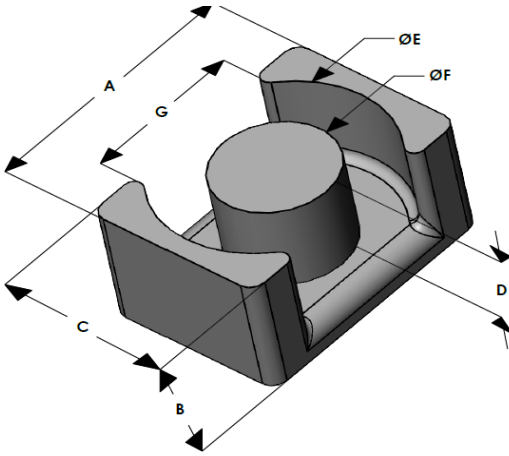




EQY3222E060L152

110 Delta Drive
 Pittsburgh, PA 15238
 NAFTA Sales: (1)800-245-3984
 HK Sales : (852)3102-9337
 magnetics@spang.com
 www.mag-inc.com



Kool M μ MAX Permeability (μ)	A _L (nH/T ²)	Core Marking	
		Lot Number	Part Number
60	156 ± 8%	XXXXXX	EQY3222E060L152

	Dimensions		Tolerance (±)			Packaging
	(mm)	(in)	(mm)	(in)		
A	32.00	1.259	0.30	0.012		Est. Box Qty= 300 Pcs
B	15.20	0.598	0.20	0.008		
C	22.00	0.866	0.30	0.012		
D	11.50	0.453	0.20	0.008		Available Hardware
E	27.60	1.086	0.30	0.012		
F	13.50	0.531	0.20	0.008		
G	20.43	0.804	-	-	Min	

Electrical Characteristics			Physical Characteristics					
Watt Loss @ 100 kHz, 100mT max (mW/cm ³)	DC Bias min (oersteds)		Break Strength typ (kg)	Window Area W _a (mm ²)	Cross Section A _e (mm ²)	Path Length L _e (mm)	Volume V _e (mm ³)	Est. Weight (Ea. Piece) (g)
	80%	50%						
775	45	100	59	162	152	79.9	12,168	TBD

Note: Standard AL is controlled with full window high turns test coils. Application coils with few turns often result in lower inductance than expected, or sometimes higher.

Notes:	Temperature Rating
	Curie Temp: 500 °C

