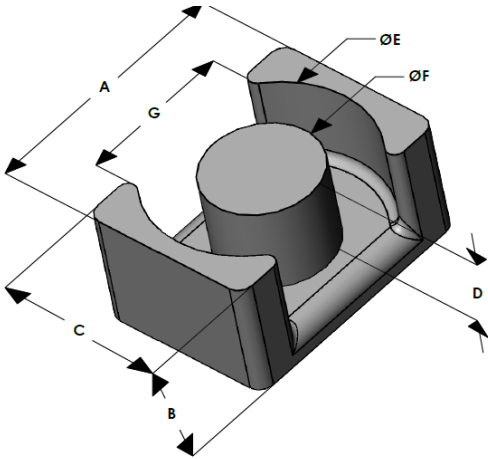




EQX4128E026L199

110 Delta Drive
 Pittsburgh, PA 15238
 NAFTA Sales: (1)800-245-3984
 HK Sales : (852)3102-9337
 magnetics@spang.com
 www.mag-inc.com



XFlux Permeability (μ)	A_L (nH/T ²)	Core Marking	
		Lot Number	Part number
26	57 \pm 8%	XXXXXX	EQX4128E026L199

	Dimensions		Tolerance (\pm)			Packaging
	(mm)	(in)	(mm)	(in)		
A	41.50	1.634	0.40	0.016		Box qty: TBD
B	19.90	0.783	0.20	0.008		
C	28.00	1.102	0.30	0.012		
D	15.40	0.606			Typ.	Available Hardware
E	36.50	1.437	0.30	0.012		
F	14.90	0.587	0.20	0.008		
G	26.60	1.047	0.30	0.012		

Electrical Characteristics			Physical Characteristics					
Watt Loss @ 50 kHz, 100mT typical (mW/cm ³)	DC Bias typical (Oe)		Break Strength typical (kg)	Window Area W_A (mm ²)	Cross Section A_e (mm ²)	Path Length L_e (mm)	Volume V_e (mm ³)	Weight (Ea. Piece) (g)
300	80%	50%	34	332.6	199.7	115.2	23,000	67.3
	340	560						

Notes:	Temperature Rating
	Curie Temp: 700°C

