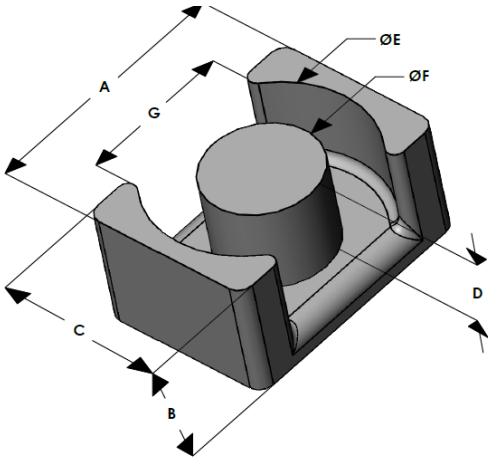




EQX3626E026L174

110 Delta Drive
 Pittsburgh, PA 15238
 NAFTA Sales: (1)800-245-3984
 HK Sales : (852)3102-9337
 magnetics@spang.com
 www.mag-inc.com



XFlux Permeability (μ)	A_L (nH/T ²)	Core Marking	
		Lot Number	Part number
26	62 ± 8%	XXXXXX	EQX3626E026L174

	Dimensions		Tolerance (\pm)			Packaging
	(mm)	(in)	(mm)	(in)		
A	36.00	1.417	0.40	0.016		Box qty: 240
B	17.40	0.685	0.20	0.008		
C	26.00	1.024	0.30	0.012		
D	13.40	0.528			Typ.	Available Hardware
E	32.00	1.260	0.30	0.012		
F	14.40	0.567	0.20	0.008		
G	22.30	0.878	0.30	0.012		

Electrical Characteristics			Physical Characteristics					
Watt Loss @ 50 kHz, 100mT typical (mW/cm ³)	DC Bias typical (Oe)		Break Strength typical (kg)	Window Area W_A (mm ²)	Cross Section A_e (mm ²)	Path Length L_e (mm)	Volume V_e (mm ³)	Weight (Ea. Piece) (g)
300	80%	50%	34	235.8	180.8	94.7	17,122	50.1
	340	560						

Notes:	Temperature Rating
	Curie Temp: 500°C

Typical DC Bias Performance

