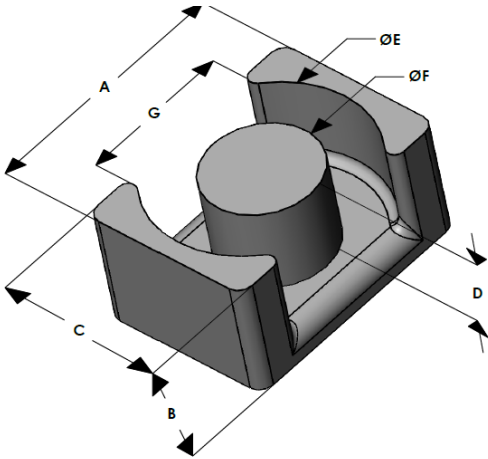




# EQX2619E040L124

110 Delta Drive  
 Pittsburgh, PA 15238  
 NAFTA Sales: (1)800-245-3984  
 HK Sales : (852)3102-9337  
 magnetics@spang.com  
 www.mag-inc.com



XFlux Permeability ( $\mu$ )	$A_L$ (nH/T <sup>2</sup> )	Core Marking	
		Lot Number	Part number
40	94 ± 8%	XXXXXX	EQX2619E040L124

	Dimensions		Tolerance ( $\pm$ )			Packaging
	(mm)	(in)	(mm)	(in)		
<b>A</b>	26.50	1.043	0.30	0.012		<b>250 pieces</b>
<b>B</b>	12.40	0.488	0.15	0.006		
<b>C</b>	19.00	0.748	0.20	0.008		
<b>D</b>	9.10	0.358	0.15	0.006		<b>Available Hardware</b>
<b>E</b>	22.60	0.890	0.30	0.012		
<b>F</b>	12.00	0.472	0.20	0.008		
<b>G</b>	15.00	0.591	-	-	Min	

Electrical Characteristics			Physical Characteristics					
Watt Loss @ 50 kHz, 100mT typical (mW/cm <sup>3</sup> )	DC Bias typical (Oe)		Break Strength typical (kg)	Window Area $W_A$ (mm <sup>2</sup> )	Cross Section $A_e$ (mm <sup>2</sup> )	Path Length $L_e$ (mm)	Volume $V_e$ (mm <sup>3</sup> )	Weight (Ea. Piece) (g)
310	80%	50%	34	90.4	119.8	63.9	7,650	24.1
	200	340						

Notes:	Temperature Rating
	Curie Temp: 700°C

