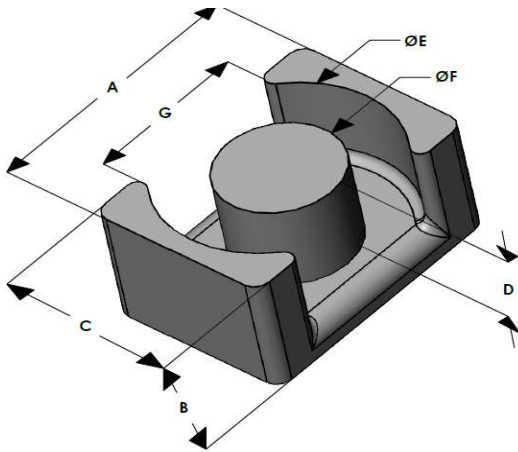




EQX2014E026L050

110 Delta Drive
 Pittsburgh, PA 15238
 NAFTA Sales: (1)800-245-3984
 HK Sales : (852)3102-9337
 magnetics@spang.com
 www.mag-inc.com



XFlux Permeability (μ)	A_L (nH/T ²)	Core Marking	
		Lot Number	Part Number
26	81 ± 8%	XXXXXX	EQX2014E026L050

	Dimensions		Tolerance (±)			Packaging
	(mm)	(in)	(mm)	(in)		
A	20.00	0.787	0.30	0.012		Box Qty= 1596 Pcs
B	5.00	0.197	0.20	0.008		
C	14.00	0.551	0.20	0.008		
D	2.60	0.102	0.20	0.008		Available Hardware
E	18.00	0.708	0.20	0.008		
F	8.80	0.346	0.20	0.008		
G	13.00	0.512	-	-	Min	

Electrical Characteristics			Physical Characteristics					
Watt Loss @ 50kHz, 100mT max (mW/cm ³)	DC Bias min (oersteds)		Break Strength typ (kg)	Window Area W_a (mm ²)	Cross Section A_e (mm ²)	Path Length L_e (mm)	Volume V_e (mm ³)	Est. Weight (Ea. Piece) (g)
425	80%	50%	34	23.9	60.8	29.3	1,780	6
	140	250						

Note: Standard AL is controlled with full window high turns test coils. Application coils with few turns often result in lower inductance than expected, or sometimes higher.

Notes:	Temperature Rating
	Curie Temp: 700 °C

Typical DC Bias Performance

