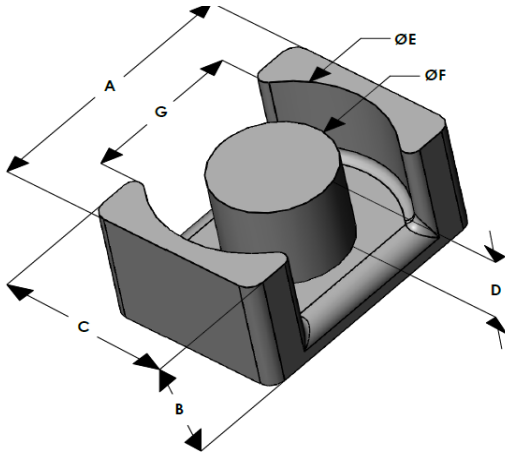




EQT5032E040L250

110 Delta Drive
 Pittsburgh, PA 15238
 NAFTA Sales: (1)800-245-3984
 HK Sales : (852)3102-9337
 magnetics@spang.com
 www.mag-inc.com



XFlux Ultra Permeability (μ)	AL (nH/T ²)	Core Marking	
		Lot Number	Part Number
40	136 ± 8%	XXXXXX	EQT5032E040L250

	Dimensions		Tolerance (\pm)		Packaging
	(mm)	(in)	(mm)	(in)	
A	50.00	1.97	0.60	0.02	Est. Box Qty= 80 Pcs
B	25.00	0.98	0.40	0.02	
C	32.00	1.26	0.40	0.02	
D	19.50	0.77	0.20	-	Available Hardware
E	44.00	1.73	0.50	-	
F	20.00	0.79	0.30	0.01	
G	33.40	1.31	0.40	-	
				-	

Electrical Characteristics			Physical Characteristics					
Watt Loss @ 50kHz, 100mT max (mW/cm ³)	DC Bias min (oersteds)		Break Strength typ (kg)	Window Area W _a (mm ²)	Cross Section A _e (mm ²)	Path Length L _e (mm)	Volume V _e (mm ³)	Est. Weight (Ea. Piece) (g)
	80%	50%						
450	100	190	120	468	314	133	41,900	128.0

Note: Standard AL is controlled with full window high turns test coils. Application coils with few turns often result in lower inductance than expected, or sometimes higher.

Notes:	Temperature Rating
	Curie Temp: 700

