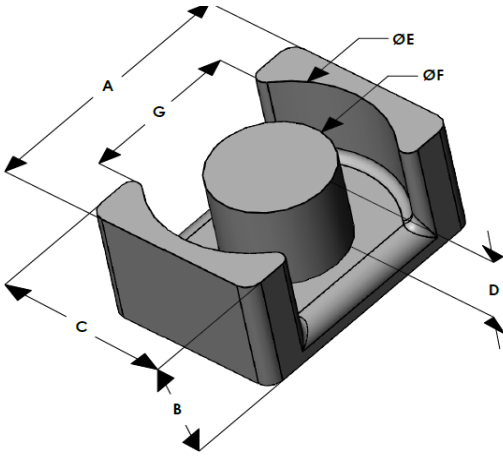




EQT2619E060L124

110 Delta Drive
 Pittsburgh, PA 15238
 NAFTA Sales: (1)800-245-3984
 HK Sales : (852)3102-9337
 magnetics@spang.com
 www.mag-inc.com



XFlux Ultra Permeability (μ)	AL (nH/T ²)	Core Marking	
		Lot Number	Part Number
60	151 \pm 8%	XXXXXX	EQT2619E060L124

	Dimensions		Tolerance (\pm)		Packaging
	(mm)	(in)	(mm)	(in)	
A	26.50	1.04	0.20	0.01	Est. Box Qty= 420 Pcs
B	12.40	0.49	0.15	0.01	
C	19.00	0.75	0.20	0.01	
D	9.10	0.36	0.15	-	Available Hardware
E	22.60	0.89	0.30	-	
F	12.00	0.47	0.20	0.01	
G	15.00	0.59	-	-	

Electrical Characteristics			Physical Characteristics					
Watt Loss @ 50kHz, 100mT max (mW/cm ³)	DC Bias min (oersteds)		Break Strength typ (kg)	Window Area W _a (mm ²)	Cross Section A _e (mm ²)	Path Length L _e (mm)	Volume V _e (mm ³)	Est. Weight (Ea. Piece) (g)
	80%	50%						
450	70	130	50	96.5	120	63.9	7,650	24.9

Note: Standard AL is controlled with full window high turns test coils. Application coils with few turns often result in lower inductance than expected, or sometimes higher.

Notes:	Temperature Rating
	Curie Temp: 700

