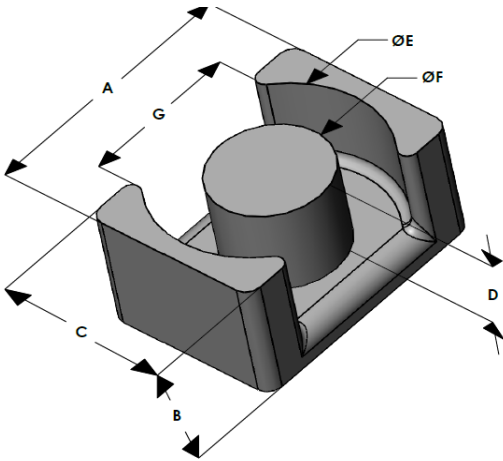




EQK4128E060L120

110 Delta Drive
 Pittsburgh, PA 15238
 NAFTA Sales: (1)800-245-3984
 HK Sales : (852)3102-9337
 magnetics@spang.com
 www.mag-inc.com



| Kool M μ Permeability (μ) | A _L (nH/T ²) | Core Marking | |
|--|--|--------------|-----------------|
| | | Lot Number | Part Number |
| 60 | 193 ± 8% | XXXXXX | EQK4128E060L120 |

| | Dimensions | | Tolerance (±) | | Packaging |
|---|------------|-------|---------------|-------|------------------------|
| | (mm) | (in) | (mm) | (in) | |
| A | 41.50 | 1.634 | 0.40 | 0.016 | Est. Box Qty = 140 Pcs |
| B | 12.00 | 0.472 | 0.20 | 0.008 | |
| C | 28.00 | 1.102 | 0.30 | 0.012 | |
| D | 7.50 | 0.295 | 0.20 | 0.008 | Available Hardware |
| E | 36.50 | 1.437 | 0.30 | 0.012 | |
| F | 14.90 | 0.587 | 0.20 | 0.008 | |
| G | 26.60 | 1.047 | 0.30 | 0.012 | |

| Electrical Characteristics | | | Physical Characteristics | | | | | |
|--|---------------------------|-----|-------------------------------|---|--|---------------------------------------|---|-----------------------------------|
| Watt Loss @ 100 kHz, 100mT max (mW/cm ³) | DC Bias min (oersteds) | | Break Strength min (kg) | Window Area W _a (mm ²) | Cross Section A _e (mm ²) | Path Length L _e (mm) | Volume V _e (mm ³) | Est. Weight (Ea. Piece) (g) |
| 700 | 80% | 50% | 56 | 162 | 200 | 83.6 | 16,700 | 44.7 |
| | 35 | 80 | | | | | | |

Note: Standard AL is controlled with full window high turns test coils. Application coils with few turns often result in lower inductance than expected, or sometimes higher.

| Notes: | Temperature Rating |
|--------|--------------------|
| | Curie Temp: 500 °C |

