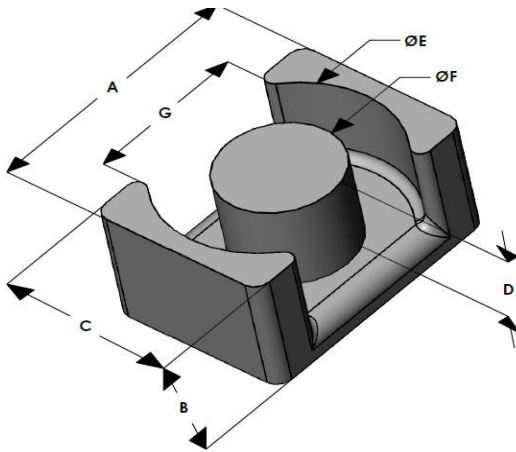




# EQK3222E026L180

110 Delta Drive  
 Pittsburgh, PA 15238  
 NAFTA Sales: (1)800-245-3984  
 HK Sales : (852)3102-9337  
 magnetics@spang.com  
 www.mag-inc.com



| Kool M $\mu$<br>Permeability ( $\mu$ ) | A <sub>L</sub><br>(nH/T <sup>2</sup> ) | Core Marking |                 |
|--|--|--------------|-----------------|
|  |  | Lot Number   | Part Number     |
| 26                                     | 66 ± 8%                                | XXXXXX       | EQK3222E026L180 |

|          | Dimensions |       | Tolerance (±) |       |     | Packaging          |
|----------|------------|-------|---------------|-------|-----|--------------------|
|          | (mm)       | (in)  | (mm)          | (in)  |     |                    |
| <b>A</b> | 32.00      | 1.259 | 0.30          | 0.012 |     | Box Qty= 270 Pcs   |
| <b>B</b> | 18.00      | 0.708 | 0.20          | 0.008 |     |                    |
| <b>C</b> | 22.00      | 0.866 | 0.30          | 0.012 |     |                    |
| <b>D</b> | 14.30      | 0.563 | 0.20          | 0.008 |     | Available Hardware |
| <b>E</b> | 27.60      | 1.086 | 0.30          | 0.012 |     |                    |
| <b>F</b> | 13.50      | 0.531 | 0.30          | 0.012 |     |                    |
| <b>G</b> | 20.43      | 0.804 | -             | -     | Min |                    |

| Electrical Characteristics                                 |                           |     | Physical Characteristics      |   |   |                                       |   |                                   |
|--|---------------------------|-----|-------------------------------|---|---|---------------------------------------|---|-----------------------------------|
| Watt Loss<br>@ 100 kHz, 100mT<br>max (mW/cm <sup>3</sup> ) | DC Bias min<br>(oersteds) |     | Break<br>Strength typ<br>(kg) | Window<br>Area W <sub>a</sub><br>(mm <sup>2</sup> ) | Cross<br>Section<br>A <sub>c</sub> (mm <sup>2</sup> ) | Path<br>Length L <sub>e</sub><br>(mm) | Volume V <sub>e</sub><br>(mm <sup>3</sup> ) | Est. Weight<br>(Ea. Piece)<br>(g) |
| 550  | 80%                       | 50% | 45                            | 202   | 152   | 91.1                                  | 13,900                                      | 36                                |
|  | 100                       | 200 |                               |   |   |                                       |   |                                   |

Note: Standard AL is controlled with full window high turns test coils. Application coils with few turns often result in lower inductance than expected, or sometimes higher.

| Notes: | Temperature Rating |
|--------|--------------------|
|        | Curie Temp: 500 °C |

## Typical DC Bias Performance

