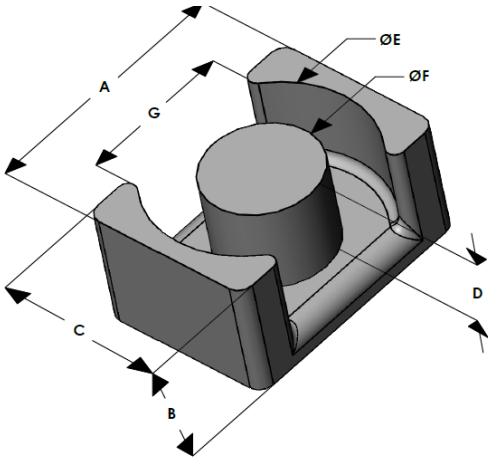




EQK3222E026L152

110 Delta Drive
 Pittsburgh, PA 15238
 NAFTA Sales: (1)800-245-3984
 HK Sales : (852)3102-9337
 magnetics@spang.com
 www.mag-inc.com



Kool M μ Permeability (μ)	A _L (nH/T ²)	Core Marking	
		Lot Number	Part number
26	62 ± 8%	XXXXXX	EQK3222E026L152

	Dimensions		Tolerance (±)		Packaging
	(mm)	(in)	(mm)	(in)	
A	32.00	1.260	0.30	0.012	Box qty: 240 pcs
B	15.20	0.598	0.20	0.008	
C	22.00	0.866	0.30	0.012	
D	11.50	0.453	0.20	0.008	Available Hardware
E	27.60	1.087	0.30	0.012	
F	13.50	0.531	0.20	0.008	
G	20.43	0.804		Min	

Electrical Characteristics			Physical Characteristics					
Watt Loss @ 50 kHz, 100mT typical (mW/cm ³)	DC Bias typical (Oe)		Break Strength typical (kg)	Window Area W _A (mm ²)	Cross Section A _e (mm ²)	Path Length L _e (mm)	Volume V _e (mm ³)	Weight (Ea. Piece) (g)
210	80%	50%	27	81.08	152.3	79.9	12,168	29.8
	135	280						

Notes:	Temperature Rating
	Curie Temp: 500°C

