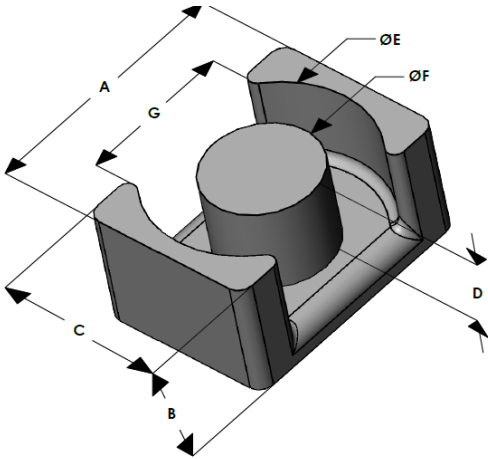




# EQH4128E060L199

110 Delta Drive  
 Pittsburgh, PA 15238  
 NAFTA Sales: (1)800-245-3984  
 HK Sales : (852)3102-9337  
 magnetics@spang.com  
 www.mag-inc.com



High Flux Permeability ( $\mu$ )	$A_L$ (nH/T <sup>2</sup> )	Core Marking	
		Lot Number	Part number
60	131 ± 8%	XXXXXX	EQH4128E060L199

	Dimensions		Tolerance (±)			Packaging
	(mm)	(in)	(mm)	(in)		
<b>A</b>	41.50	1.634	0.40	0.016		<b>Box qty: TBD</b>
<b>B</b>	19.90	0.783	0.20	0.008		
<b>C</b>	28.00	1.102	0.30	0.012		
<b>D</b>	15.40	0.606			Typ.	<b>Available Hardware</b>
<b>E</b>	36.50	1.437	0.30	0.012		
<b>F</b>	14.90	0.587	0.20	0.008		
<b>G</b>	26.60	1.047	0.30	0.012		

Electrical Characteristics			Physical Characteristics					
Watt Loss @ 50 kHz, 100mT typical (mW/cm <sup>3</sup> )	DC Bias typical (Oe)		Break Strength typical (kg)	Window Area $W_A$ (mm <sup>2</sup> )	Cross Section $A_e$ (mm <sup>2</sup> )	Path Length $L_e$ (mm)	Volume $V_e$ (mm <sup>3</sup> )	Weight (Ea. Piece) (g)
370	80%	50%	50	332.6	199.7	115.2	23,000	81.8
	105	180						

Notes:	Temperature Rating
	Curie Temp: 500°C

