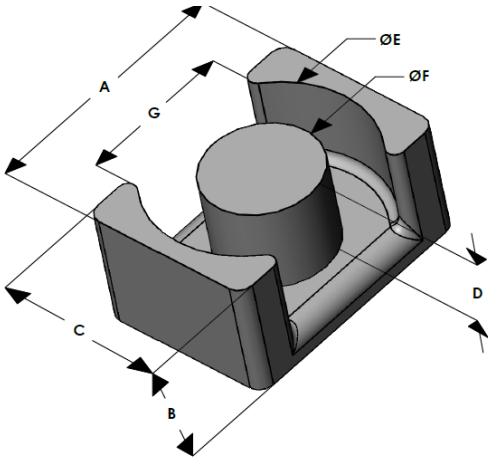




# EQH3626E060L174

110 Delta Drive  
 Pittsburgh, PA 15238  
 NAFTA Sales: (1)800-245-3984  
 HK Sales : (852)3102-9337  
 magnetics@spang.com  
 www.mag-inc.com



High Flux Permeability ( $\mu$ )	$A_L$ (nH/T <sup>2</sup> )	Core Marking	
		Lot Number	Part number
60	144 ± 8%	XXXXXX	EQH3626E060L174

	Dimensions		Tolerance ( $\pm$ )			Packaging
	(mm)	(in)	(mm)	(in)		
<b>A</b>	36.00	1.417	0.40	0.016		<b>Box qty: 240</b>
<b>B</b>	17.40	0.685	0.20	0.008		
<b>C</b>	26.00	1.024	0.30	0.012		
<b>D</b>	13.40	0.528			Typ.	<b>Available Hardware</b>
<b>E</b>	32.00	1.260	0.30	0.012		
<b>F</b>	14.40	0.567	0.20	0.008		
<b>G</b>	22.30	0.878	0.30	0.012		

Electrical Characteristics			Physical Characteristics					
Watt Loss @ 50 kHz, 100mT typical (mW/cm <sup>3</sup> )	DC Bias typical (Oe)		Break Strength typical (kg)	Window Area $W_A$ (mm <sup>2</sup> )	Cross Section $A_e$ (mm <sup>2</sup> )	Path Length $L_e$ (mm)	Volume $V_e$ (mm <sup>3</sup> )	Weight (Ea. Piece) (g)
370	80%	50%	52	235.8	180.8	94.7	17,122	59.4
	105	180						

Notes:	Temperature Rating
	Curie Temp: 500°C

