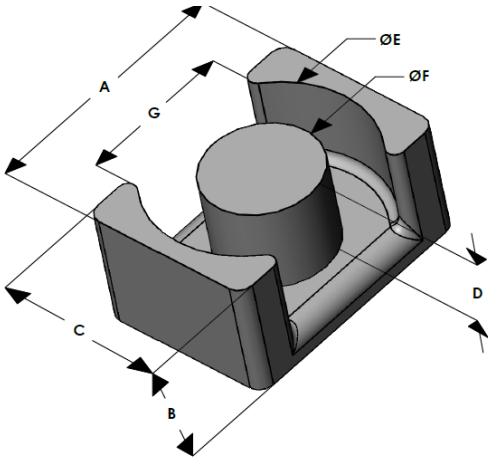




# EQH3626E026L174

110 Delta Drive  
 Pittsburgh, PA 15238  
 NAFTA Sales: (1)800-245-3984  
 HK Sales : (852)3102-9337  
 magnetics@spang.com  
 www.mag-inc.com



High Flux Permeability ( $\mu$ )	$A_L$ (nH/T <sup>2</sup> )	Core Marking	
		Lot Number	Part number
26	62 ± 8%	XXXXXX	EQH3626E026L174

	Dimensions		Tolerance (±)		Packaging	
	(mm)	(in)	(mm)	(in)		
A	36.00	1.417	0.40	0.016	Box qty: TBD	
B	17.40	0.685	0.20	0.008		
C	26.00	1.024	0.30	0.012		
D	13.40	0.528			Typ.	Available Hardware
E	32.00	1.260	0.30	0.012		
F	14.40	0.567	0.20	0.008		
G	22.30	0.878	0.30	0.012		

Electrical Characteristics			Physical Characteristics					
Watt Loss @ 100 kHz, 100mT Nominal (mW/cm <sup>3</sup> )	DC Bias Nominal (Oe)		Break Strength min (kg)	Window Area W <sub>A</sub> (mm <sup>2</sup> )	Cross Section A <sub>e</sub> (mm <sup>2</sup> )	Path Length L <sub>e</sub> (mm)	Volume V <sub>e</sub> (mm <sup>3</sup> )	Weight (Ea. Piece) (g)
TBD	80%	50%	TBD	235.8	180.8	94.7	17,122	TBD
	260	460						

Notes:	Temperature Rating
	Curie Temp: 500°C

