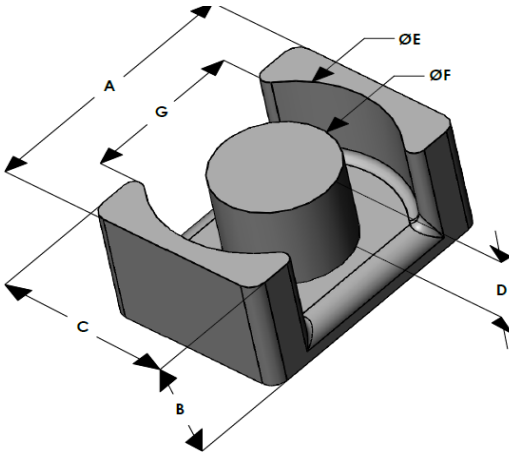




# EQH3222E060L180

110 Delta Drive  
 Pittsburgh, PA 15238  
 NAFTA Sales: (1)800-245-3984  
 HK Sales : (852)3102-9337  
 magnetics@spang.com  
 www.mag-inc.com



| High Flux Permeability ( $\mu$ ) | $A_L$ (nH/T <sup>2</sup> ) | Core Marking |                 |
|----------------------------------|----------------------------|--------------|-----------------|
|                                  |                            | Lot Number   | Part Number     |
| 60                               | 136 ± 8%                   | XXXXXX       | EQH3222E060L180 |

|   | Dimensions |       | Tolerance (±) |       |     | Packaging             |
|---|------------|-------|---------------|-------|-----|-----------------------|
|   | (mm)       | (in)  | (mm)          | (in)  |     |                       |
| A | 32.00      | 1.259 | 0.30          | 0.012 |     | Est. Box Qty= 270 Pcs |
| B | 18.00      | 0.708 | 0.20          | 0.008 |     |                       |
| C | 22.00      | 0.866 | 0.30          | 0.012 |     |                       |
| D | 14.30      | 0.563 | 0.20          | 0.008 |     |                       |
| E | 27.60      | 1.086 | 0.30          | 0.012 |     |                       |
| F | 13.50      | 0.531 | 0.30          | 0.012 |     |                       |
| G | 20.43      | 0.804 | -             | -     | Min |                       |

| Electrical Characteristics                           |                        |     | Physical Characteristics |                                      |  |                        |                                 |                             |
|--|------------------------|-----|--------------------------|--------------------------------------|--|------------------------|---------------------------------|-----------------------------|
| Watt Loss @ 100 kHz, 100mT max (mW/cm <sup>3</sup> ) | DC Bias min (oersteds) |     | Break Strength typ (kg)  | Window Area $W_a$ (mm <sup>2</sup> ) | Cross Section $A_e$ (mm <sup>2</sup> ) | Path Length $L_e$ (mm) | Volume $V_e$ (mm <sup>3</sup> ) | Est. Weight (Ea. Piece) (g) |
|  | 80%                    | 50% |                          |                                      |  |                        |                                 |                             |
| 850  | 85                     | 140 | 59                       | 202                                  | 152                                    | 91.1                   | 13,900                          | 48.10                       |

Note: Standard AL is controlled with full window high turns test coils. Application coils with few turns often result in lower inductance than expected, or sometimes higher.

| Notes: | Temperature Rating |
|--------|--------------------|
|        | Curie Temp: 500 °C |

